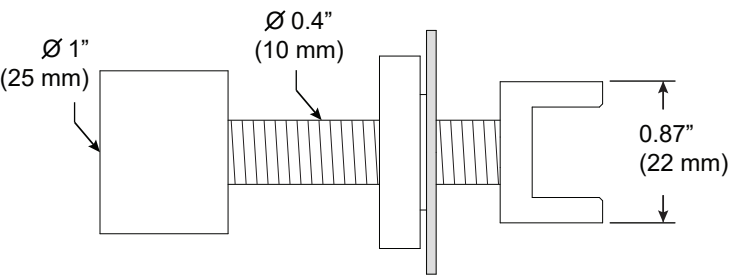
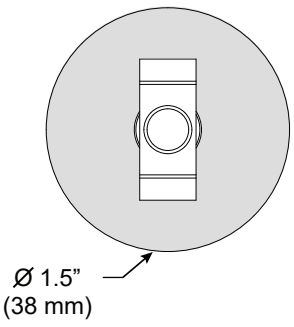
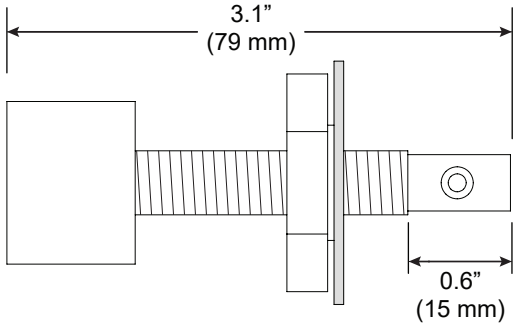
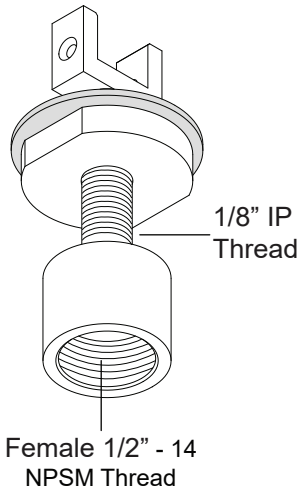
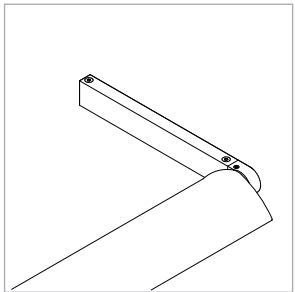
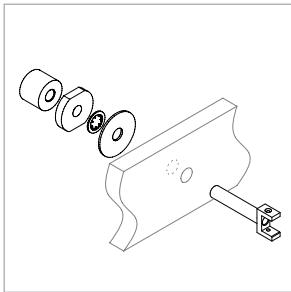


Zero Block™ for Single Arm

For use with System | 107

Mounts System | 107 end sections to surface. Allows direct feed to arm through female 1/2" NPT thread. Mounts to work surface or similar from 1/8" to 1-1/2" thick using a 3/8" hole. 8" is required behind mounting surface for proper installation. Zero block cannot be adjusted after installation.

Technical Support: 707-996-9898



PART NUMBER **CAN-107-S-0B**

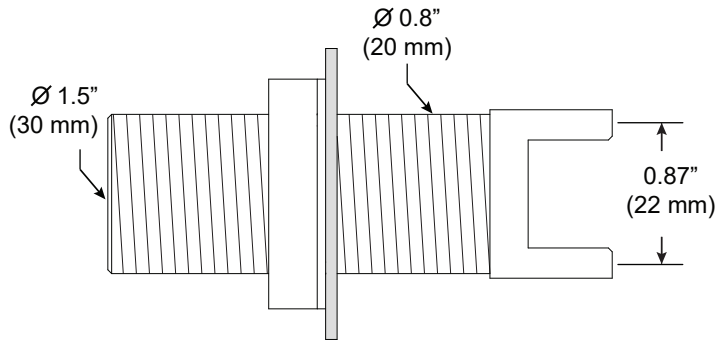
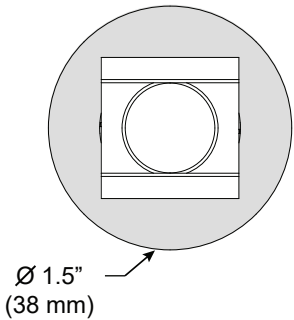
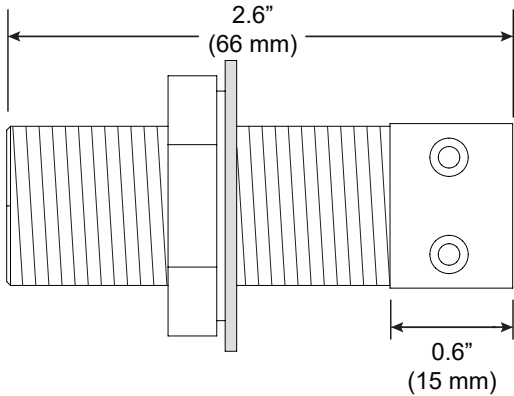
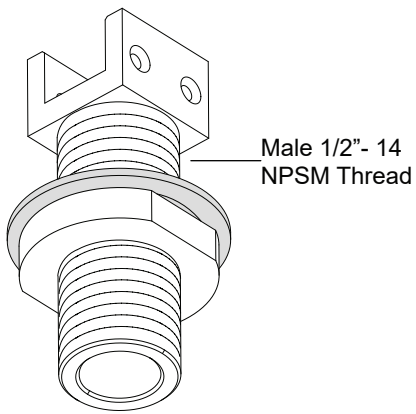
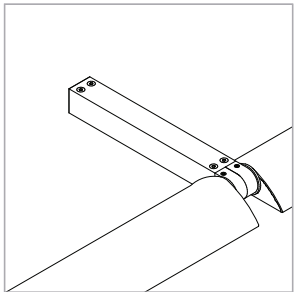
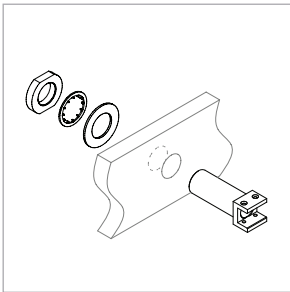
DESCRIPTION Canopy, System LED 107, single arm, zero block

Zero Block™ for Double Arm

For use with System | 107

Mounts System | 107 mid sections to surface. Allows direct feed to arm through male 1/2" NPT thread. Mounts to work surface or similar from 1/8" to 1-1/2" thick using a 13/16" hole. 8" is required behind mounting surface for proper installation. Zero block cannot be adjusted after installation.

Technical Support: 707-996-9898



PART NUMBER **CAN-107-D-0B**

DESCRIPTION Canopy, System LED 107, double arm, zero block