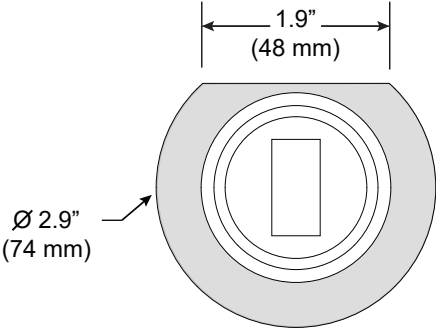
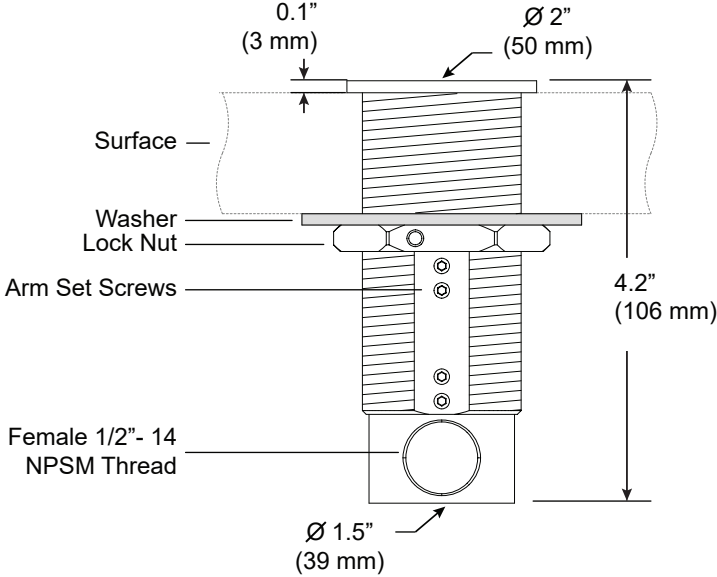
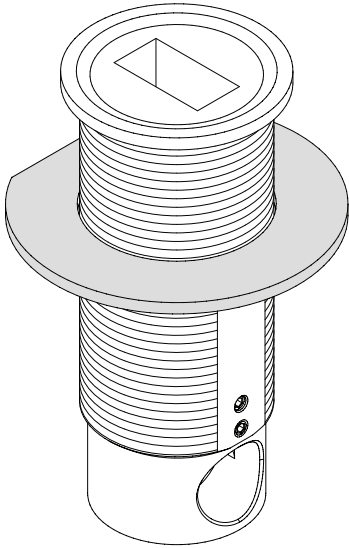
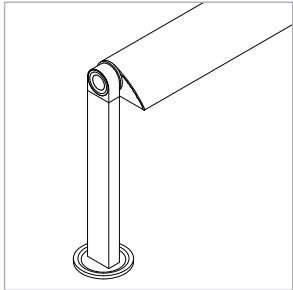
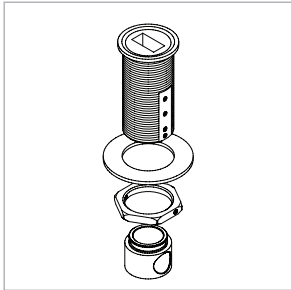


# Arm Anchor<sup>®</sup> for Single Arm

For use with System | 107

Mounts 107 System end sections to surface. Allows power feed through single arm. Mounts to work surface from 1/8" to 2.25" thick. Fits hole size 1 11/16". 4.5" (114.3mm) is required behind mounting surface for proper installation.

Technical Support: 707-996-9898



PART NUMBER **CAN-107-S-2T-YY**

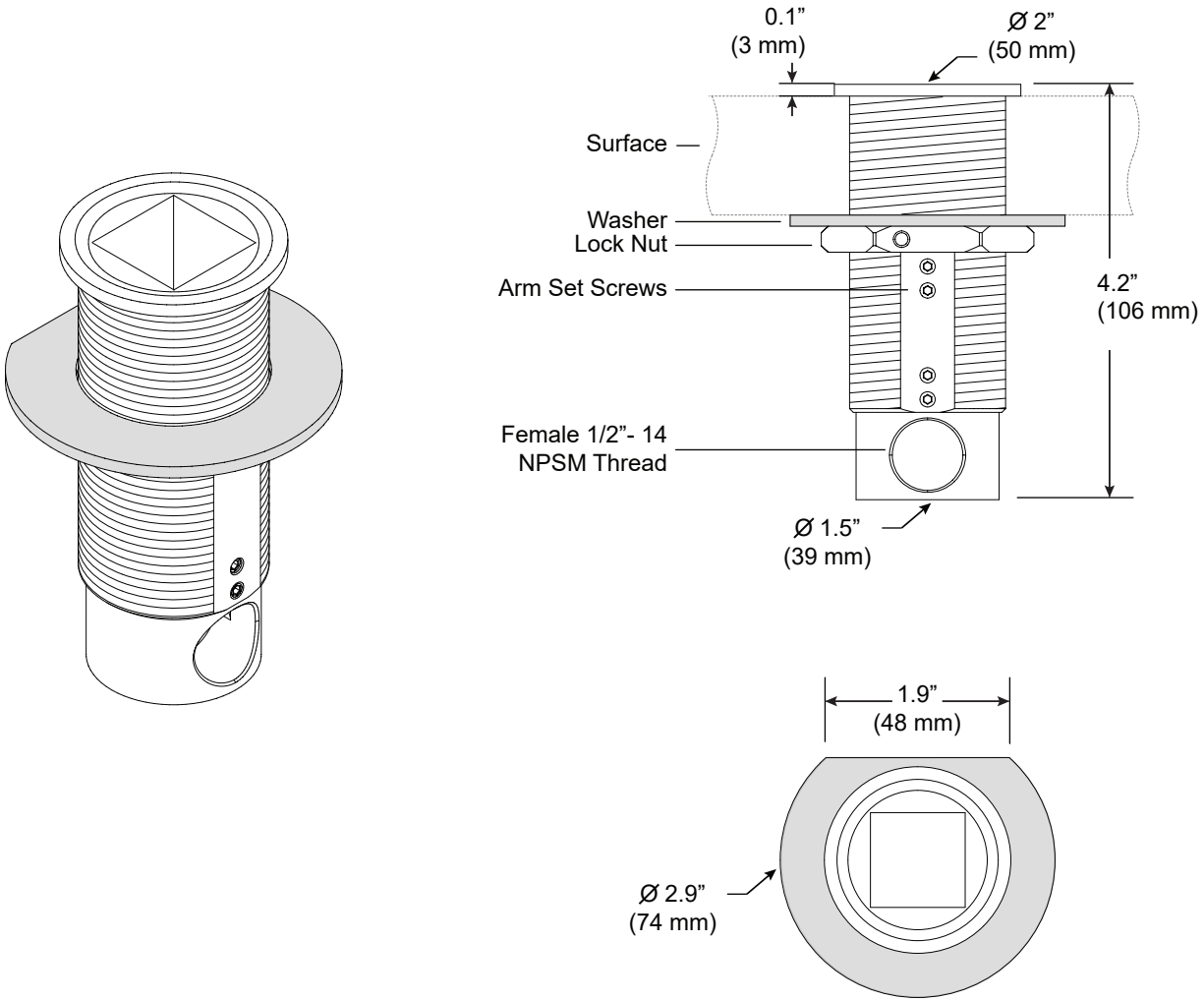
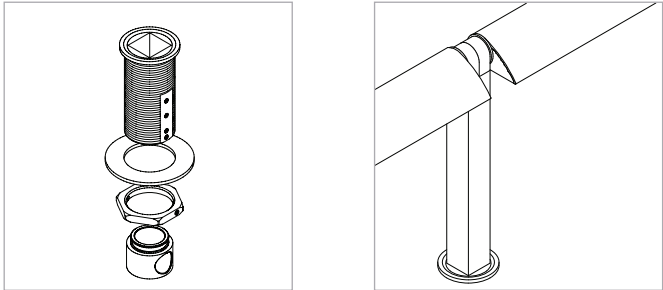
DESCRIPTION Canopy, System LED 107, single arm, 2" (51mm) arm anchor, available in anodized aluminum (AA), white painted (W1) and black anodized (AB).

# Arm Anchor<sup>®</sup> for Double Arm

For use with System | 107

Mounts 107 System mid sections to surface. Allows power feed through single arm. Mounts to work surface from 1/8" to 2.25" thick. Fits hole size 1 11/16". 4.5" (114.3mm) is required behind mounting surface for proper installation.

Technical Support: 707-996-9898



PART NUMBER **CAN-107-D-2T-YY**

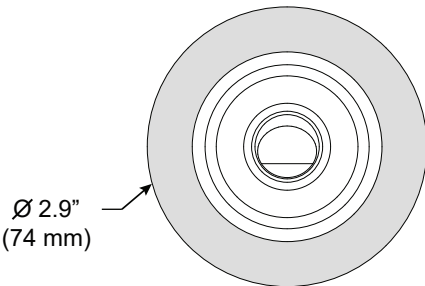
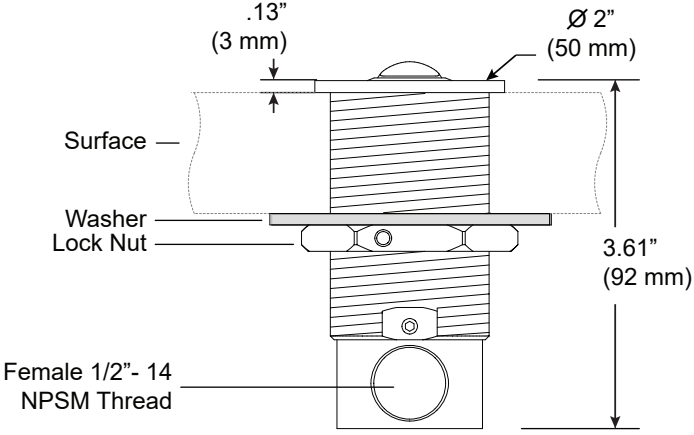
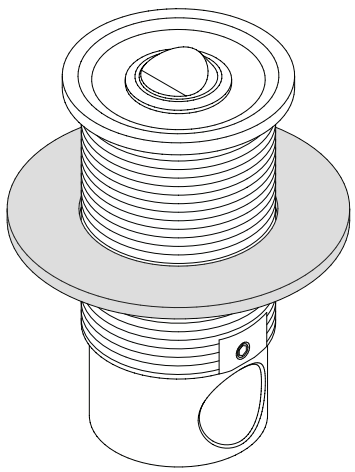
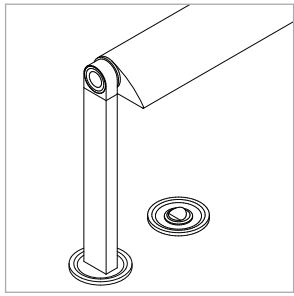
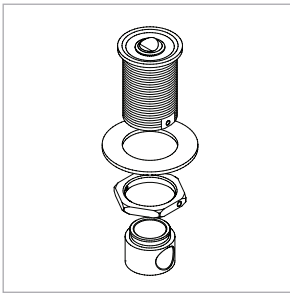
DESCRIPTION Canopy, System LED 107, double arm, 2" (51mm) arm anchor, available in anodized aluminum (AA), white painted (W1) and black anodized (AB).

# Arm Anchor<sup>®</sup> On/Off switch

For use with System | 107

Switch serves as power control, compatible with the 107 Vode series. Mounts to work surface or similar from 1/8" to 2.25" thick. Fits hole size 1 11/16". 4.5" (114.3mm) is required behind mounting surface for proper installation.

Technical Support: 707-996-9898



PART NUMBER **CAN-107-2T-1-YY**

DESCRIPTION Canopy, System LED 107, 2" (51mm) arm anchor, on/off switch, available in anodized aluminum (AA), white painted (W1) and black anodized (AB).