



DISCONTINUED

Call your local Vode rep or
Vode Sales Support to order.
(707) 996-9898

Spec Guide

BeeFuse™ | Wall | T5 | 205

Accent lighting for corporate, hospitality and educational applications.



BeeFuse, 370° rotation

Benefits & Features

Slim Design

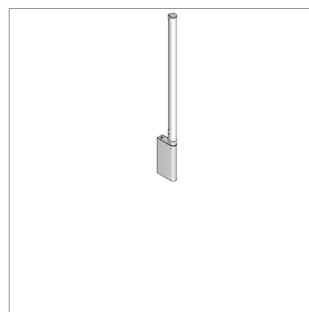
Round rail profile, 1.6" (41mm) x 1.24" (31mm), 370° rotation with lock.

Superior Light Quality & Performance

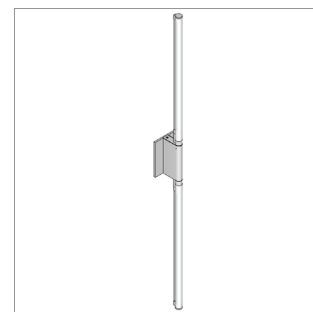
For HE & HO lamp. 93% fixture efficacy. High impact acrylic diffuser.

ADA Compliant

3.8" (97mm) projection.



Single Rail



Double Rail with canopy

Structure

Length	Single rail length: 30.5" (775mm). Double rail length: 54.5" (1384mm).
Rail Dimension	1.6" (41mm) x 1.24" (31mm).
Construction / Finish	Extruded and machined 6063 aluminum. Brushed aluminum (stock), black anodized, white painted and non-standard finishes available.
Mounting	Wall mount to jbox with cover plate or direct wire without cover plate.

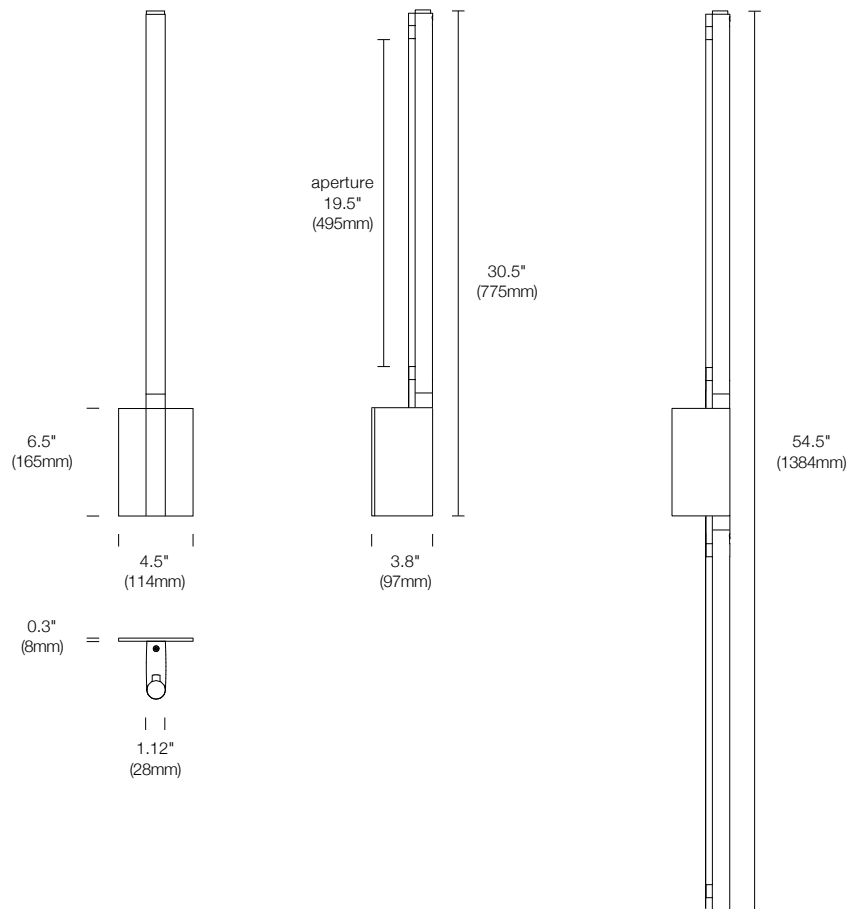
Power / Controls

Ballast Type	Thermally protected Class P and Sound Rated A.
Controls	Non-dimming only. See Ballast Guide for details.
Input Voltage	120v, 277v.
Power Location	Integral Power.
Emergency Ballast	Not available.

Light

Fixture Efficacy (lm/W)	86% efficacy.
Distribution	Symmetric distribution.
T5 Lamp HE (High Efficiency)	14w = 24" (600mm) lamp.
T5 Lamp HO (High Output)	24w = 24" (600mm) lamp.
Color Temperature	3000K, 3500K, 4100K available. Other color temperature lamps available upon request.

Dimensions



DISCONTINUED
To order, call
(707) 996-9898

Build Your Specification

		CW		I	
--	--	-----------	--	----------	--

System & Rail Type	Length	Mounting	Ballast Location	Ballast Type	Voltage
205-BF Sconce T5, Single Rail with BeeFuse	Single Rail (205-BF) 02 30.5" (775mm)	CW Wall	Integral Ballast	Instant Start, non-dimming	1 120v 2 277v
215-BF Sconce T5, Double Rail with BeeFuse	Double Rail (215-BF) 4 54.5" (1384mm)		IB No Cover Plate IC Cover Plate		

		0
--	--	----------

Lamp Type	Finish	Lens/Baffle
Supplied by Others	AL Aluminum (standard)	0 None
HE HE (High Efficiency)	WH White Painted	
HO HO (High Output) ¹	BL Black Anodized	
	Z Non-standard Finish (please specify)	

Optics for Button Board (H)

E30	Sylvania Pentron, 3000K, HE
E35	Sylvania Pentron, 3500K, HE
E41	Sylvania Pentron, 4100K, HE
O30	Sylvania Pentron, 3000K, HO ¹
O35	Sylvania Pentron, 3500K, HO ¹
O41	Sylvania Pentron, 4100K, HO ¹
Z	Other (please specify)

NOTES & LIMITATIONS

¹High Output (HO) lamps not available with double rail (215-BF).

Materials

Diffuse Lens	High-impact extruded acrylic glass (PMMA).
---------------------	--------------------------------------------

5 Year Limited Warranty. All material and component parts used in the manufacture of Vode products are warranted to be free from defects of material and/or workmanship for a period of 5 years from date of sale. Product must be installed according to Vode installation instructions and accepted trade practices. Power supplies and other auxiliary equipment is not covered under Vode warranty but may be covered by separate OEM warranty. See full Vode warranty description [here](#).

Listed to UL standards for dry location by a Nationally Recognized Testing Laboratory (NRTL) recognized by OSHA.

Copyright © 2014 Vode Lighting LLC. All rights reserved.

The Vode logo and Vode and BeeFuse names are either registered trademarks or trademarks of Vode Lighting LLC in the United States and / or other countries. All other brand or product names are trademarks or registered trademarks of their respective owners. Due to ongoing innovation, specifications may change without notice.

Credits, Page 1 Photo – Tualatin Public Library, Tualatin, OR | Architecture: SRG Partnership | Lighting Design: Keylight+Shadow | Photo: Earl Levin

Vode Lighting LLC | 1206 East MacArthur, Suite 3, Sonoma, CA 95476 | 707.996.9898

DISCONTINUED
To order, call
(707) 996-9898

Layout Chart

LED & T5

Find the length that matches your overall system length and choose Layout A, B or C. Please note section length limitations for your selected rail type.

To specify a non-standard layout, fill out the form at the bottom of this page.

Length	Layout Code	Sections (in feet)
1' (305mm)	Layout A	1
2' (610mm)	Layout A	2
3' (914mm)	Layout A	3
4' (1219mm)	Layout A	4
	Layout B	2, 2
5' (1524mm)	Layout A	5
	Layout B	2, 3
6' (1829mm)	Layout A	6
	Layout B	3, 3
7' (2133mm)	Layout A	4, 3
	Layout B	2, 3, 2
8' (2438mm)	Layout A	8
	Layout B	4, 4
9' (2743mm)	Layout A	3, 3, 3
	Layout B	5, 4
10' (3048mm)	Layout A	5, 5
	Layout B	3, 4, 3
11' (3353mm)	Layout A	4, 4, 3
	Layout B	8, 3
12' (3658mm)	Layout A	4, 4, 4
	Layout B	6, 6
13' (3962mm)	Layout A	4, 5, 4
	Layout B	8, 5
14' (4267mm)	Layout A	6, 8
	Layout B	5, 5, 4
15' (4572mm)	Layout A	5, 5, 5
	Layout B	6, 6, 3
16' (4877mm)	Layout A	8, 8
	Layout B	4, 4, 4, 4
17' (5182mm)	Layout A	4, 4, 4, 5
	Layout B	6, 6, 5

Length	Layout Code	Sections (in feet)
18' (5486mm)	Layout A	6, 6, 6
	Layout B	3, 3, 3, 3, 3, 3
19' (5791mm)	Layout A	4, 4, 4, 4, 3
	Layout B	5, 5, 5, 4
20' (6096mm)	Layout A	4, 4, 4, 4, 4
	Layout B	5, 5, 5, 5
21' (6401mm)	Layout A	4, 4, 4, 4, 5
	Layout B	3, 3, 3, 3, 3, 3, 3
22' (6706mm)	Layout A	4, 4, 6, 4, 4
	Layout B	6, 6, 6, 4
	Layout C	3, 4, 4, 4, 4, 3
23' (7010mm)	Layout A	4, 4, 4, 4, 4, 3
	Layout B	6, 6, 6, 5
24' (7315mm)	Layout A	8, 8, 8
	Layout B	6, 6, 6, 6
	Layout C	4, 4, 4, 4, 4, 4
25' (7620mm)	Layout A	5, 5, 5, 5, 5
	Layout B	4, 4, 4, 4, 4, 5
26' (7925mm)	Layout A	3, 4, 4, 4, 4, 4, 3
	Layout B	6, 6, 6, 8
27' (8230mm)	Layout A	6, 6, 3, 6, 6
	Layout B	4, 4, 4, 3, 3, 3, 3
28' (8534mm)	Layout A	4, 4, 4, 4, 4, 4, 4
	Layout B	8, 8, 8, 4
29' (8839mm)	Layout A	8, 8, 8, 5
	Layout B	6, 6, 5, 6, 6
	Layout C	4, 4, 4, 4, 4, 4, 5
30' (9144mm)	Layout A	6, 6, 6, 6, 6
	Layout B	5, 5, 5, 5, 5, 5
31' (9449mm)	Layout A	8, 5, 5, 5, 8
	Layout B	4, 4, 4, 4, 4, 4, 4, 3

Non-Standard Layout

Box 1, write your total system length.

Box 2, write in rail length sections separated by commas (see layouts above for example.) Check that the rail sections add up to your total system length.

1.	Layout Z	2.
-----------	-----------------	-----------

- Imperial Units (feet & inches)
 Metric Units (meters & millimeters)

Find the length that matches your overall system length and choose Layout A, B or C.
Please note section length limitations for your selected rail type.

To specify a non-standard layout, fill out the form at the bottom of page 1.

Length	Layout Code	Sections (in feet)
32' (9754mm)	Layout A	8, 8, 8, 8
	Layout B	4, 4, 4, 4, 4, 4, 4, 4
33' (10058mm)	Layout A	6, 6, 6, 6, 6, 3
	Layout B	4, 5, 5, 5, 5, 5, 4
34' (10363mm)	Layout A	5, 8, 8, 8, 5
	Layout B	3, 4, 4, 4, 4, 4, 4, 3
35' (10668mm)	Layout A	5, 5, 5, 5, 5, 5, 5
	Layout B	8, 8, 8, 8, 3
36' (10973mm)	Layout A	6, 6, 6, 6, 6, 6
	Layout B	4, 4, 4, 4, 4, 4, 4, 4, 4
37' (11278mm)	Layout A	8, 8, 5, 8, 8
	Layout B	4, 4, 4, 4, 4, 4, 4, 4, 5
38' (11582mm)	Layout A	8, 8, 6, 8, 8
	Layout B	6, 6, 6, 6, 6, 8
	Layout C	5, 5, 5, 5, 5, 5, 3
39' (11887mm)	Layout A	6, 6, 6, 6, 6, 6, 3
	Layout B	5, 5, 5, 5, 5, 5, 5, 4
40' (12192mm)	Layout A	8, 8, 8, 8, 8
	Layout B	5, 5, 5, 5, 5, 5, 5, 5
41' (12497mm)	Layout A	4, 4, 4, 4, 4, 4, 4, 4, 4, 5
	Layout B	6, 6, 6, 6, 6, 6, 5
42' (12802mm)	Layout A	6, 6, 6, 6, 6, 6, 6
	Layout B	5, 8, 8, 8, 8, 5
	Layout C	3, 4, 4, 4, 4, 4, 4, 4, 4, 3
43' (13106mm)	Layout A	8, 8, 8, 8, 8, 3
	Layout B	4, 5, 5, 5, 5, 5, 5, 5, 4
44' (13411mm)	Layout A	4, 4, 4, 4, 4, 4, 4, 4, 4, 4, 4
	Layout B	8, 8, 8, 8, 8, 4
45' (13716mm)	Layout A	5, 5, 5, 5, 5, 5, 5, 5, 5
	Layout B	8, 8, 8, 8, 8, 5
46' (14021mm)	Layout A	6, 6, 6, 6, 6, 6, 6, 4
	Layout B	3, 4, 4, 4, 4, 4, 4, 4, 4, 4, 3
47' (14326mm)	Layout A	8, 8, 5, 5, 5, 8, 8
	Layout B	5, 5, 5, 5, 5, 5, 5, 4, 4, 4
48' (14630mm)	Layout A	8, 8, 8, 8, 8, 8
	Layout B	6, 6, 6, 6, 6, 6, 6, 6
	Layout C	4, 4, 4, 4, 4, 4, 4, 4, 4, 4, 4
49' (14935mm)	Layout A	5, 5, 5, 5, 5, 5, 5, 5, 4
	Layout B	6, 6, 5, 5, 5, 5, 5, 6, 6
50' (15240mm)	Layout A	5, 5, 5, 5, 5, 5, 5, 5, 5
	Layout B	5, 8, 8, 8, 8, 8, 5

Length	Layout Code	Sections (in feet)
51' (15545mm)	Layout A	6, 6, 6, 6, 6, 6, 6, 6, 3
	Layout B	8, 8, 8, 3, 8, 8, 8
	Layout C	4, 4, 4, 4, 4, 4, 4, 4, 4, 4, 4, 3
52' (15850mm)	Layout A	4, 4, 4, 4, 4, 4, 4, 4, 4, 4, 4, 4
	Layout B	8, 8, 8, 8, 8, 8, 4
53' (16154mm)	Layout A	8, 8, 8, 5, 8, 8, 8
	Layout B	4, 5, 5, 5, 5, 5, 5, 5, 5, 4
54' (16459mm)	Layout A	6, 6, 6, 6, 6, 6, 6, 6, 6
	Layout B	8, 8, 8, 8, 8, 8, 6
	Layout C	5, 5, 5, 5, 5, 5, 5, 5, 5, 5, 4
55' (16764mm)	Layout A	5, 5, 5, 5, 5, 5, 5, 5, 5, 5
	Layout B	8, 8, 8, 8, 8, 5, 5, 5
56' (17069mm)	Layout A	8, 8, 8, 8, 8, 8, 8
	Layout B	4, 4, 4, 4, 4, 4, 4, 4, 4, 4, 4, 4, 4
57' (17374mm)	Layout A	6, 6, 6, 6, 6, 6, 6, 6, 6, 3
	Layout B	8, 8, 8, 3, 3, 3, 8, 8, 8
58' (17678mm)	Layout A	5, 8, 8, 8, 8, 8, 8, 5
	Layout B	6, 6, 6, 6, 6, 6, 6, 6, 6, 4
	Layout C	5, 5, 5, 5, 5, 5, 5, 5, 5, 5, 3
59' (17983mm)	Layout A	5, 5, 5, 5, 5, 5, 5, 5, 5, 5, 4
	Layout B	8, 8, 8, 8, 8, 8, 8, 3
60' (18288mm)	Layout A	4, 4, 4, 4, 4, 4, 4, 4, 4, 4, 4, 4, 4
	Layout B	6, 6, 6, 6, 6, 6, 6, 6, 6, 6
61' (18593mm)	Layout A	8, 8, 8, 5, 8, 8, 8, 8
	Layout B	4, 4, 4, 4, 4, 4, 4, 4, 4, 4, 4, 4, 5
62' (18898mm)	Layout A	8, 8, 8, 8, 8, 8, 8, 6
	Layout B	4, 6, 6, 6, 6, 6, 6, 6, 6, 6, 4
	Layout C	3, 4, 4, 4, 4, 4, 4, 4, 4, 4, 4, 4, 3
63' (19202mm)	Layout A	6, 6, 6, 6, 6, 6, 6, 6, 6, 3
	Layout B	4, 4, 4, 4, 4, 4, 4, 4, 4, 4, 4, 4, 3
64' (19507mm)	Layout A	8, 8, 8, 8, 8, 8, 8, 8
	Layout B	4, 4, 4, 4, 4, 4, 4, 4, 4, 4, 4, 4, 4
65' (19812mm)	Layout A	5, 5, 5, 5, 5, 5, 5, 5, 5, 5, 5
	Layout B	4, 4, 4, 4, 4, 4, 4, 4, 4, 4, 4, 4, 5
66' (20117mm)	Layout A	6, 6, 6, 6, 6, 6, 6, 6, 6, 6
	Layout B	5, 8, 8, 8, 8, 8, 8, 5
	Layout C	3, 5, 5, 5, 5, 5, 5, 5, 5, 5, 5, 3
67' (20422mm)	Layout A	8, 8, 8, 8, 8, 8, 8, 3
	Layout B	5, 5, 5, 5, 5, 5, 5, 5, 5, 4, 4, 4
68' (20726mm)	Layout A	8, 8, 8, 8, 8, 8, 8, 4
	Layout B	4, 4, 4, 4, 4, 4, 4, 4, 4, 4, 4, 4, 4

Find the length that matches your overall system length and choose Layout A, B or C.
Please note section length limitations for your selected rail type.

To specify a non-standard layout, fill out the form at the bottom of page 1.

Length	Layout Code	Sections (in feet)
69' (21031mm)	Layout A	6, 6, 6, 6, 6, 6, 6, 6, 6, 6, 3
	Layout B	8, 8, 8, 8, 8, 8, 8, 5
	Layout C	4, 4, 4, 4, 4, 4, 4, 4, 4, 4, 4, 4, 5
70' (21336mm)	Layout A	8, 8, 8, 8, 8, 8, 8, 6
	Layout B	5, 5, 5, 5, 5, 5, 5, 5, 5, 5, 5, 5
71' (21641mm)	Layout A	8, 5, 5, 5, 5, 5, 5, 5, 5, 8
	Layout B	4, 4, 4, 4, 4, 4, 4, 4, 4, 4, 4, 4, 4, 3
72' (21946mm)	Layout A	8, 8, 8, 8, 8, 8, 8, 8
	Layout B	6, 6, 6, 6, 6, 6, 6, 6, 6, 6, 6
	Layout C	4, 4, 4, 4, 4, 4, 4, 4, 4, 4, 4, 4, 4, 4, 4
73' (22250mm)	Layout A	4, 4, 4, 4, 4, 4, 4, 4, 4, 4, 4, 4, 4, 4, 5
	Layout B	8, 3, 8, 8, 8, 3, 8, 8, 8, 3, 8
74' (22555mm)	Layout A	5, 8, 8, 8, 8, 8, 8, 8, 5
	Layout B	4, 6, 6, 6, 6, 6, 6, 6, 6, 6, 6, 4
	Layout C	5, 5, 5, 5, 5, 5, 5, 5, 5, 5, 5, 5, 4
75' (22860mm)	Layout A	5, 5, 5, 5, 5, 5, 5, 5, 5, 5, 5, 5
	Layout B	6, 6, 6, 6, 6, 6, 6, 6, 6, 6, 6, 3
76' (23165mm)	Layout A	8, 8, 8, 8, 8, 8, 8, 8, 4
	Layout B	4, 4, 4, 4, 4, 4, 4, 4, 4, 4, 4, 4, 4, 4, 4
77' (23470mm)	Layout A	8, 8, 8, 8, 8, 8, 8, 8, 5
	Layout B	4, 4, 4, 4, 4, 4, 4, 4, 4, 4, 4, 4, 4, 4, 5
78' (23774mm)	Layout A	6, 6, 6, 6, 6, 6, 6, 6, 6, 6, 6, 6
	Layout B	8, 8, 8, 8, 8, 8, 8, 8, 6
	Layout C	3, 4, 4, 4, 4, 4, 4, 4, 4, 4, 4, 4, 4, 4, 4, 4, 3
79' (24079mm)	Layout A	8, 8, 8, 8, 8, 8, 8, 5, 5, 5
	Layout B	5, 5, 5, 5, 5, 5, 5, 5, 5, 5, 5, 5, 4
80' (24384mm)	Layout A	8, 8, 8, 8, 8, 8, 8, 8, 8
	Layout B	5, 5, 5, 5, 5, 5, 5, 5, 5, 5, 5, 5, 5
81' (24689mm)	Layout A	6, 6, 6, 6, 6, 6, 6, 6, 6, 6, 6, 3
	Layout B	4, 4, 4, 4, 4, 4, 4, 4, 4, 4, 4, 4, 4, 4, 5
82' (24994mm)	Layout A	5, 8, 8, 8, 8, 8, 8, 8, 8, 5
	Layout B	6, 6, 6, 6, 6, 6, 6, 6, 6, 6, 6, 4
	Layout C	3, 4, 4, 4, 4, 4, 4, 4, 4, 4, 4, 4, 4, 4, 4, 4, 3
83' (25298mm)	Layout A	8, 8, 8, 8, 8, 8, 8, 8, 8, 3
	Layout B	4, 4, 4, 4, 4, 4, 4, 4, 4, 4, 4, 4, 4, 4, 4, 4, 3
84' (25603mm)	Layout A	6, 6, 6, 6, 6, 6, 6, 6, 6, 6, 6, 6
	Layout B	8, 8, 8, 8, 8, 8, 8, 8, 8, 4
85' (25908mm)	Layout A	5, 5, 5, 5, 5, 5, 5, 5, 5, 5, 5, 5, 5
	Layout B	8, 8, 8, 8, 8, 8, 8, 8, 8, 5

Length	Layout Code	Sections (in feet)
86' (26213mm)	Layout A	8, 8, 8, 8, 8, 8, 8, 8, 8, 6
	Layout B	6, 6, 6, 6, 6, 6, 6, 6, 6, 6, 6, 8
	Layout C	3, 4, 4, 4, 4, 4, 4, 4, 4, 4, 4, 4, 4, 4, 4, 4, 4, 3
87' (26518mm)	Layout A	6, 6, 6, 6, 6, 6, 6, 6, 6, 6, 6, 3
	Layout B	8, 8, 8, 8, 8, 8, 8, 8, 5, 5, 5
	Layout C	4, 4, 4, 4, 4, 4, 4, 4, 4, 4, 4, 4, 4, 4, 4, 4, 4, 4, 3
88' (26822mm)	Layout A	8, 8, 8, 8, 8, 8, 8, 8, 8, 8
	Layout B	6, 6, 6, 6, 6, 6, 6, 6, 6, 6, 6, 6, 4
	Layout C	4, 4, 4, 4, 4, 4, 4, 4, 4, 4, 4, 4, 4, 4, 4, 4, 4, 4, 4
89' (27127mm)	Layout A	8, 8, 8, 8, 8, 8, 8, 8, 8, 3, 3, 3
	Layout B	5, 5, 5, 5, 5, 5, 5, 5, 5, 5, 5, 5, 5, 5, 4
90' (27432mm)	Layout A	6, 6, 6, 6, 6, 6, 6, 6, 6, 6, 6, 6, 6
	Layout B	5, 5, 5, 5, 5, 5, 5, 5, 5, 5, 5, 5, 5, 5
91' (27737mm)	Layout A	8, 8, 8, 8, 8, 8, 8, 8, 8, 3
	Layout B	4, 4, 4, 4, 4, 4, 4, 4, 4, 4, 4, 4, 4, 4, 4, 4, 4, 3
92' (28042mm)	Layout A	8, 8, 8, 8, 8, 8, 8, 8, 8, 8, 4
	Layout B	4, 6, 6, 6, 6, 6, 6, 6, 6, 6, 6, 6, 6, 4
	Layout C	4, 4, 4, 4, 4, 4, 4, 4, 4, 4, 4, 4, 4, 4, 4, 4, 4, 4, 4
93' (28346mm)	Layout A	6, 6, 6, 6, 6, 6, 6, 6, 6, 6, 6, 6, 3
	Layout B	8, 8, 8, 8, 8, 8, 8, 8, 8, 5
	Layout C	4, 4, 4, 4, 4, 4, 4, 4, 4, 4, 4, 4, 4, 4, 4, 4, 4, 4, 5
94' (28651mm)	Layout A	8, 8, 8, 8, 8, 8, 8, 8, 8, 8, 6
	Layout B	6, 6, 6, 6, 6, 6, 6, 6, 6, 6, 6, 6, 6, 4
	Layout C	5, 5, 5, 5, 5, 5, 5, 5, 5, 5, 5, 5, 5, 5, 5, 4
95' (28956mm)	Layout A	5, 5, 5, 5, 5, 5, 5, 5, 5, 5, 5, 5, 5, 5, 5
	Layout B	8, 8, 8, 8, 8, 8, 8, 8, 8, 5, 5
96' (29261mm)	Layout A	8, 8, 8, 8, 8, 8, 8, 8, 8, 8, 8
	Layout B	6, 6, 6, 6, 6, 6, 6, 6, 6, 6, 6, 6, 6, 6
	Layout C	4, 4, 4, 4, 4, 4, 4, 4, 4, 4, 4, 4, 4, 4, 4, 4, 4, 4, 4
97' (29566mm)	Layout A	8, 8, 8, 8, 8, 8, 8, 8, 8, 3, 3, 3
	Layout B	4, 4, 4, 4, 4, 4, 4, 4, 4, 4, 4, 4, 4, 4, 4, 4, 4, 4, 5
98' (29870mm)	Layout A	5, 8, 8, 8, 8, 8, 8, 8, 8, 8, 5
	Layout B	4, 6, 6, 6, 6, 6, 6, 6, 6, 6, 6, 6, 6, 6, 4
	Layout C	5, 5, 5, 5, 5, 5, 5, 5, 5, 5, 5, 5, 5, 5, 5, 3
99' (30175mm)	Layout A	6, 6, 6, 6, 6, 6, 6, 6, 6, 6, 6, 6, 6, 3
	Layout B	8, 8, 8, 8, 8, 8, 8, 8, 8, 8, 3
	Layout C	5, 5, 5, 5, 5, 5, 5, 5, 5, 5, 5, 5, 5, 5, 5, 4
100' (30480mm)	Layout A	8, 8, 8, 8, 8, 8, 8, 8, 8, 8, 8, 4
	Layout B	5, 5, 5, 5, 5, 5, 5, 5, 5, 5, 5, 5, 5, 5, 5