



**DISCONTINUED**  
Call your local Vode rep or  
Vode Sales Support to order.  
(707) 996-9898

Spec Guide

# WingRail™ | Table Arm | T5 | 105

Task lighting for corporate, educational and library applications.



WingRail, direct or indirect, 370° rotation.

### Benefits & Features

#### Low Profile Robust Design

Asymmetric profile, 1.12" (28mm) x 2.12" (54mm), 370° rotation, angle gage and lock.

#### Superior Light Quality & Performance

For HE & HO lamps. 49% fixture efficacy. Extruded aluminum reflector with optional baffle or prismatic lens.

#### Adaptive Power Modules

1% dimming available for most configurations and protocols.

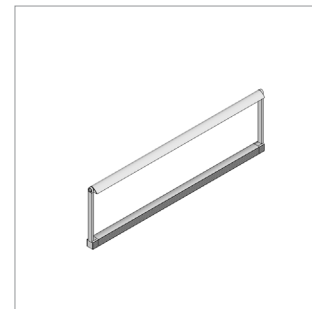
#### Elegant Power Accessories

In-table power receptacle and on/off switch options available.



Shown: Arm Anchor

Multiple mounting hardware options designed to fit any application.



Shown: Integral Ballast

## Structure

|                       |   |
|-----------------------|---|
| Rail Lengths          | 24" (610mm), 36" (914mm), 48" (1219mm), 60" (1524mm).   |
| Rail Dimensions       | 1.12" (28mm) x 2.12" (54mm).  |
| Construction / Finish | Extruded and machined 6063 aluminum. Clear anodized (stock), black anodized, white painted and non-standard finishes available. |
| Mounting              | Table mount to Arm Anchor or integral ballast housing. <i>See following page for details.</i>                                   |
| Arm Length            | 1.25' (32mm) – 48" (1219mm). Non-standard arm lengths available. Arm lengths >48" (1219mm) not recommended.                     |
| System Run Length     | 2' (610mm) minimum. Unlimited maximum.  |

## Power / Controls

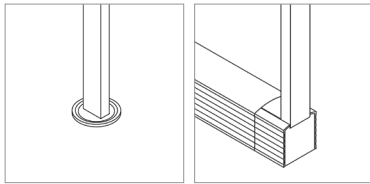
|                   |   |
|-------------------|---|
| Ballast Type      | Thermally protected Class P and Sound Rated A.  |
| Controls          | Non-dimming and dimming (1%, 10%). 0-10V, DALI, Lutron™ available for most configurations. <i>See Ballast Guide for details.</i>                |
| Input Voltage     | 120v, 240v, 277v.   |
| Power Location    | Integral or remote power. Maximum ballast distance from fixture up to 18' (5m) depending on ballast type. <i>See Ballast Guide for details.</i> |
| Emergency Ballast | Available with select ballasts. <i>See Ballast Guide for details.</i>   |

## Light

|                                 |  |
|---------------------------------|--|
| Fixture Efficacy (lm/W)         | 49% efficacy.  |
| Distribution                    | Asymmetric distribution, 83% direct, 17% indirect.   |
| T5 Lamp HE<br>(High Efficiency) | 14W = 24" (600mm) lamp.<br>21W = 36" (900mm) lamp.<br>28W = 48" (1200mm) lamp.<br>35W = 60" (1500mm) lamp. |
| T5 Lamp HO<br>(High Output)     | 24W = 24" (600mm) lamp.<br>39W = 36" (900mm) lamp.<br>54W = 48" (1200mm) lamp.<br>80W = 60" (1500mm) lamp. |
| Color Temperature               | 3000K, 3500K, 4100K. Other color temperature lamps available on request.                                   |

**DISCONTINUED**  
To order, call  
**(707) 996-9898**

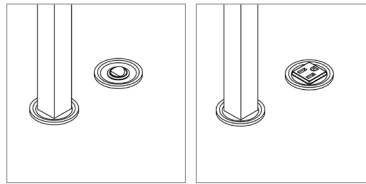
**Mounting Hardware**



Arm Anchor  
h 0.1" (3mm)  
Ø2" (51mm)

Integral Power  
h 1.7" (43mm)  
w 1.8" (46mm)

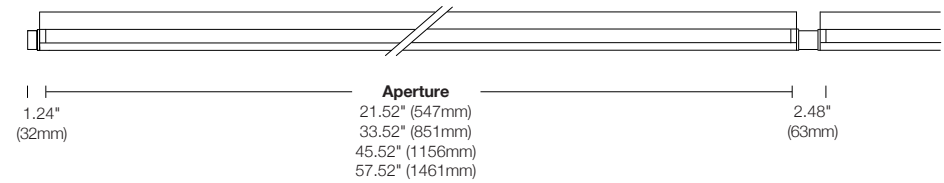
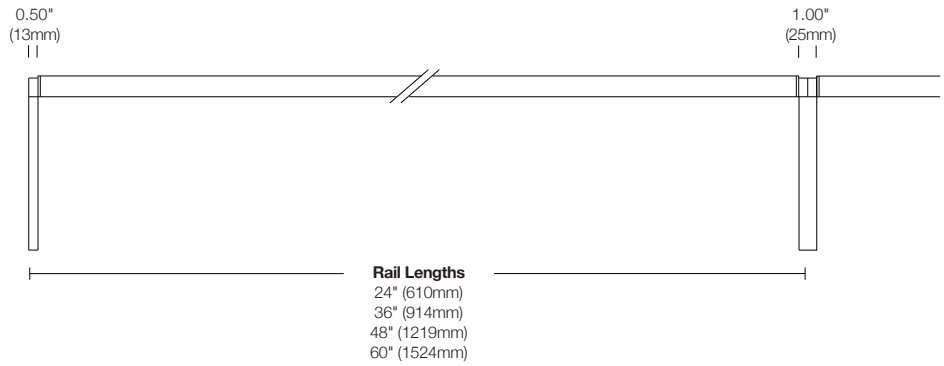
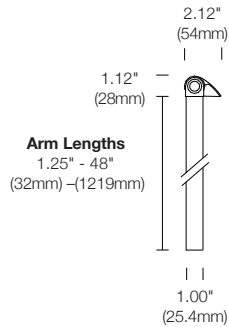
**Accessories**



On/Off Switch

Receptacle

**Dimensions**



**Materials**

|                      |   |
|----------------------|---|
| Prismatic Lens       | High-impact extruded acrylic glass (PMMA).                            |
| Baffle               | 6063 aluminum, painted white finish, RoHS compliant.                  |
| Power Cable          | Ø6mm, 18/4 AWG, fiberglass sheathing, FEP insulation, RoHS compliant. |
| Cable Connectors     | Unfilled clear Nylon, rated UL 94 V-0, halogen free. RoHS compliant.  |
| Remote Power Housing | 1/16" (0.8mm) formed steel, zinc chromate plating.                    |

5 Year Limited Warranty. All material and component parts used in the manufacture of Vode products are warranted to be free from defects of material and/or workmanship for a period of 5 years from date of sale. Product must be installed according to Vode installation instructions and accepted trade practices. Ballasts and other auxiliary equipment is not covered under Vode warranty but may be covered by separate OEM warranty. See full Vode warranty description [here](#).

Listed to UL standards for dry and damp location by a Recognized Testing Laboratory (NRTL) recognized

**DISCONTINUED**  
To order, call  
**(707) 996-9898**

## Build Your Specification

|        |  |  |  |    |  |  |
|--------|--|--|--|----|--|--|
| 105-WG |  |  |  | TA |  |  |
|--------|--|--|--|----|--|--|

| System & Rail Type | Single/Double Rail  | System Length                                    | Layout  | Mounting     | Arm Length  | Ballast Location  |
|--------------------|---|--|---|--------------|---|---|
| 105-WG WingRail    | <b>01</b> Single Rail<br><b>03</b> Double Rail w/3" (76mm) tee<br><b>06</b> Double Rail w/6" (76mm) tee<br><b>12</b> Double Rail w/12" (76mm) tee<br><b>18</b> Double Rail w/18" (76mm) tee<br><b>24</b> Double Rail w/24" (76mm) tee<br><b>Z</b> Double Rail w/non-standard tee (please specify) | Specify system length in 1ft (305mm) increments. | Select a standard layout using the Layout Chart on page 6. Find your desired overall system length and choose Layout A, B or C. This product is available with rail lengths from 2' (610mm) – 5' (1524mm).<br><br>To select a non-standard layout, write "Z" above and specify your layout in comma delimited feet/inches or millimeters. Example: 3',3',3',3' for a 12ft system. | TA Table Arm | 1.25 1.25" arm (32mm)<br>1.75 1.75" arm (44mm)<br>3 3" arm (76mm)<br>6 6" arm (152mm)<br>12 12" arm (305mm)<br>18 18" arm (457mm)<br>24 24" arm (610mm)<br>36 36" arm (914mm)<br>48 48" arm (1219mm)<br>Z Non-standard arm length (please specify) <sup>1</sup> | Integral Ballast<br>IB Integral Ballast <sup>2</sup><br><br>Remote Ballast<br>2T Arm Anchor |

|  |  |  |  |  |  |  |
|--|--|--|--|--|--|--|
|  |  |  |  |  |  |  |
|--|--|--|--|--|--|--|

| Ballast Type <sup>3</sup>   | Voltage                    | Emergency Ballast   | Lamp Type   | Finish   | Lens / Baffle  |
|---|----------------------------|---|---|--|--|
| <b>I</b> Instant Start, Non-dimming<br><b>A</b> Programmed Start, Non-dimming<br><b>E</b> Lutron Ecosystem, 10% Dimming<br><b>H</b> Lutron Hi-Lume 3D, 1% Dimming<br><b>J</b> Lutron Ecosystem H-Series, 1% Dimming<br><b>F</b> 0-10v, 1% Dimming<br><b>D</b> DALI, 1% Dimming<br><b>Z</b> Other (please specify) | 1 120v<br>4 240v<br>2 277v | Specify number of emergency ballasts required. See <a href="#">Ballast Guide</a> for details. | Supplied by Others<br><b>HE</b> High Efficiency<br><b>HO</b> High Output<br><br>Supplied by Vode<br><b>E30</b> Sylvania Pentron, 3000K, HE<br><b>E35</b> Sylvania Pentron, 3500K, HE<br><b>E41</b> Sylvania Pentron, 4100K, HE<br><b>O30</b> Sylvania Pentron, 3000K, HO<br><b>O35</b> Sylvania Pentron, 3500K, HO<br><b>O41</b> Sylvania Pentron, 4100K, HO<br><b>Z</b> Other (please specify) | <b>AL</b> Clear Anodized (stock)<br><b>WH</b> White Painted<br><b>BL</b> Black Anodized<br><b>Z</b> Non-standard Finish (please specify) | <b>0</b> None<br><b>B</b> Cross Baffle<br><b>1</b> Prismatic Lens <sup>4</sup> |

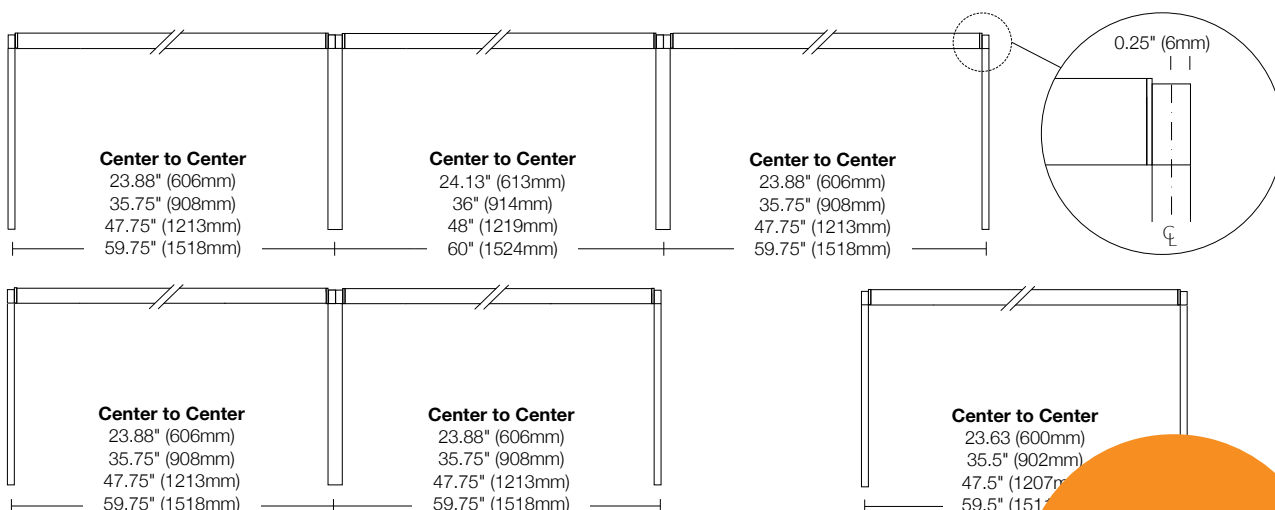
|  |  |
|--|--|
|  |  |
|--|--|

| Sensors   | Options   |
|---|---|
| <b>0</b> None<br><b>Z</b> Other (please specify) <sup>5</sup> | Select all that apply.<br><b>0</b> None<br><b>1</b> On/off Switch <sup>6</sup><br><b>2</b> GLR Fuse<br><b>3</b> 9' 18/3 Cord and Plug<br><b>4</b> Conduit adapter for end power feed <sup>7</sup> |

### NOTES & LIMITATIONS

- <sup>1</sup>Arm lengths >48" (1219mm) not recommended.
- <sup>2</sup>Not recommended for arm lengths >12" (305mm).
- <sup>3</sup>Some ballasts may not be compatible with your specification. See [Ballast Guide](#) for details.
- <sup>4</sup>Not available with High Output (HO) Lamps.
- <sup>5</sup>Occupancy and daylight sensors are available. Contact Vode or your Vode agent with your specific requirements.
- <sup>6</sup>One switch per ballast, unless otherwise specified.
- <sup>7</sup>Requires Integral Ballast (IB).

## Layout



**DISCONTINUED**  
 To order, call  
 (707) 996-9898

## Layout Chart

# LED & T5

Find the length that matches your overall system length and choose Layout A, B or C. Please note section length limitations for your selected rail type.

To specify a non-standard layout, fill out the form at the bottom of this page.

| Length       | Layout Code | Sections (in feet) |
|--------------|-------------|--------------------|
| 1' (305mm)   | Layout A    | 1                  |
| 2' (610mm)   | Layout A    | 2                  |
| 3' (914mm)   | Layout A    | 3                  |
| 4' (1219mm)  | Layout A    | 4                  |
|              | Layout B    | 2, 2               |
| 5' (1524mm)  | Layout A    | 5                  |
|              | Layout B    | 2, 3               |
| 6' (1829mm)  | Layout A    | 6                  |
|              | Layout B    | 3, 3               |
| 7' (2133mm)  | Layout A    | 4, 3               |
|              | Layout B    | 2, 3, 2            |
| 8' (2438mm)  | Layout A    | 8                  |
|              | Layout B    | 4, 4               |
| 9' (2743mm)  | Layout A    | 3, 3, 3            |
|              | Layout B    | 5, 4               |
| 10' (3048mm) | Layout A    | 5, 5               |
|              | Layout B    | 3, 4, 3            |
| 11' (3353mm) | Layout A    | 4, 4, 3            |
|              | Layout B    | 8, 3               |
| 12' (3658mm) | Layout A    | 4, 4, 4            |
|              | Layout B    | 6, 6               |
| 13' (3962mm) | Layout A    | 4, 5, 4            |
|              | Layout B    | 8, 5               |
| 14' (4267mm) | Layout A    | 6, 8               |
|              | Layout B    | 5, 5, 4            |
| 15' (4572mm) | Layout A    | 5, 5, 5            |
|              | Layout B    | 6, 6, 3            |
| 16' (4877mm) | Layout A    | 8, 8               |
|              | Layout B    | 4, 4, 4, 4         |
| 17' (5182mm) | Layout A    | 4, 4, 4, 5         |
|              | Layout B    | 6, 6, 5            |

| Length       | Layout Code | Sections (in feet)     |
|--------------|-------------|------------------------|
| 18' (5486mm) | Layout A    | 6, 6, 6                |
|              | Layout B    | 3, 3, 3, 3, 3, 3       |
| 19' (5791mm) | Layout A    | 4, 4, 4, 4, 3          |
|              | Layout B    | 5, 5, 5, 4             |
| 20' (6096mm) | Layout A    | 4, 4, 4, 4, 4          |
|              | Layout B    | 5, 5, 5, 5             |
| 21' (6401mm) | Layout A    | 4, 4, 4, 4, 5          |
|              | Layout B    | 3, 3, 3, 3, 3, 3, 3    |
| 22' (6706mm) | Layout A    | 4, 4, 6, 4, 4          |
|              | Layout B    | 6, 6, 6, 4             |
|              | Layout C    | 3, 4, 4, 4, 4, 3       |
| 23' (7010mm) | Layout A    | 4, 4, 4, 4, 4, 3       |
|              | Layout B    | 6, 6, 6, 5             |
| 24' (7315mm) | Layout A    | 8, 8, 8                |
|              | Layout B    | 6, 6, 6, 6             |
|              | Layout C    | 4, 4, 4, 4, 4, 4       |
| 25' (7620mm) | Layout A    | 5, 5, 5, 5, 5          |
|              | Layout B    | 4, 4, 4, 4, 4, 5       |
| 26' (7925mm) | Layout A    | 3, 4, 4, 4, 4, 4, 3    |
|              | Layout B    | 6, 6, 6, 8             |
| 27' (8230mm) | Layout A    | 6, 6, 3, 6, 6          |
|              | Layout B    | 4, 4, 4, 3, 3, 3, 3    |
| 28' (8534mm) | Layout A    | 4, 4, 4, 4, 4, 4, 4    |
|              | Layout B    | 8, 8, 8, 4             |
| 29' (8839mm) | Layout A    | 8, 8, 8, 5             |
|              | Layout B    | 6, 6, 5, 6, 6          |
|              | Layout C    | 4, 4, 4, 4, 4, 4, 5    |
| 30' (9144mm) | Layout A    | 6, 6, 6, 6, 6          |
|              | Layout B    | 5, 5, 5, 5, 5, 5       |
| 31' (9449mm) | Layout A    | 8, 5, 5, 5, 8          |
|              | Layout B    | 4, 4, 4, 4, 4, 4, 4, 3 |

### Non-Standard Layout

Box 1, write your total system length.

Box 2, write in rail length sections separated by commas (see layouts above for example.) Check that the rail sections add up to your total system length.

|           |                 |           |
|-----------|-----------------|-----------|
| <b>1.</b> | <b>Layout Z</b> | <b>2.</b> |
|-----------|-----------------|-----------|

- Imperial Units (feet & inches)  
 Metric Units (meters & millimeters)

Find the length that matches your overall system length and choose Layout A, B or C.  
Please note section length limitations for your selected rail type.

To specify a non-standard layout, fill out the form at the bottom of page 1.

| Length        | Layout Code | Sections (in feet)              |
|---------------|-------------|---------------------------------|
| 32' (9754mm)  | Layout A    | 8, 8, 8, 8                      |
|               | Layout B    | 4, 4, 4, 4, 4, 4, 4, 4          |
| 33' (10058mm) | Layout A    | 6, 6, 6, 6, 6, 3                |
|               | Layout B    | 4, 5, 5, 5, 5, 5, 4             |
| 34' (10363mm) | Layout A    | 5, 8, 8, 8, 5                   |
|               | Layout B    | 3, 4, 4, 4, 4, 4, 4, 3          |
| 35' (10668mm) | Layout A    | 5, 5, 5, 5, 5, 5, 5             |
|               | Layout B    | 8, 8, 8, 8, 3                   |
| 36' (10973mm) | Layout A    | 6, 6, 6, 6, 6, 6                |
|               | Layout B    | 4, 4, 4, 4, 4, 4, 4, 4, 4       |
| 37' (11278mm) | Layout A    | 8, 8, 5, 8, 8                   |
|               | Layout B    | 4, 4, 4, 4, 4, 4, 4, 4, 5       |
| 38' (11582mm) | Layout A    | 8, 8, 6, 8, 8                   |
|               | Layout B    | 6, 6, 6, 6, 6, 8                |
|               | Layout C    | 5, 5, 5, 5, 5, 5, 3             |
| 39' (11887mm) | Layout A    | 6, 6, 6, 6, 6, 6, 3             |
|               | Layout B    | 5, 5, 5, 5, 5, 5, 5, 4          |
| 40' (12192mm) | Layout A    | 8, 8, 8, 8, 8                   |
|               | Layout B    | 5, 5, 5, 5, 5, 5, 5, 5          |
| 41' (12497mm) | Layout A    | 4, 4, 4, 4, 4, 4, 4, 4, 4, 5    |
|               | Layout B    | 6, 6, 6, 6, 6, 6, 5             |
| 42' (12802mm) | Layout A    | 6, 6, 6, 6, 6, 6, 6             |
|               | Layout B    | 5, 8, 8, 8, 8, 5                |
|               | Layout C    | 3, 4, 4, 4, 4, 4, 4, 4, 4, 3    |
| 43' (13106mm) | Layout A    | 8, 8, 8, 8, 8, 3                |
|               | Layout B    | 4, 5, 5, 5, 5, 5, 5, 4          |
| 44' (13411mm) | Layout A    | 4, 4, 4, 4, 4, 4, 4, 4, 4, 4, 4 |
|               | Layout B    | 8, 8, 8, 8, 8, 4                |
| 45' (13716mm) | Layout A    | 5, 5, 5, 5, 5, 5, 5, 5, 5       |
|               | Layout B    | 8, 8, 8, 8, 8, 5                |
| 46' (14021mm) | Layout A    | 6, 6, 6, 6, 6, 6, 6, 4          |
|               | Layout B    | 3, 4, 4, 4, 4, 4, 4, 4, 4, 4, 3 |
| 47' (14326mm) | Layout A    | 8, 8, 5, 5, 5, 8, 8             |
|               | Layout B    | 5, 5, 5, 5, 5, 5, 5, 4, 4, 4    |
| 48' (14630mm) | Layout A    | 8, 8, 8, 8, 8, 8                |
|               | Layout B    | 6, 6, 6, 6, 6, 6, 6, 6          |
|               | Layout C    | 4, 4, 4, 4, 4, 4, 4, 4, 4, 4, 4 |
| 49' (14935mm) | Layout A    | 5, 5, 5, 5, 5, 5, 5, 5, 4       |
|               | Layout B    | 6, 6, 5, 5, 5, 5, 5, 6, 6       |
| 50' (15240mm) | Layout A    | 5, 5, 5, 5, 5, 5, 5, 5, 5       |
|               | Layout B    | 5, 8, 8, 8, 8, 8, 5             |

| Length        | Layout Code | Sections (in feet)                    |
|---------------|-------------|---------------------------------------|
| 51' (15545mm) | Layout A    | 6, 6, 6, 6, 6, 6, 6, 3                |
|               | Layout B    | 8, 8, 8, 3, 8, 8, 8                   |
|               | Layout C    | 4, 4, 4, 4, 4, 4, 4, 4, 4, 4, 3       |
| 52' (15850mm) | Layout A    | 4, 4, 4, 4, 4, 4, 4, 4, 4, 4, 4       |
|               | Layout B    | 8, 8, 8, 8, 8, 8, 4                   |
| 53' (16154mm) | Layout A    | 8, 8, 8, 5, 8, 8, 8                   |
|               | Layout B    | 4, 5, 5, 5, 5, 5, 5, 5, 5, 4          |
| 54' (16459mm) | Layout A    | 6, 6, 6, 6, 6, 6, 6, 6                |
|               | Layout B    | 8, 8, 8, 8, 8, 8, 6                   |
|               | Layout C    | 5, 5, 5, 5, 5, 5, 5, 5, 5, 4          |
| 55' (16764mm) | Layout A    | 5, 5, 5, 5, 5, 5, 5, 5, 5, 5          |
|               | Layout B    | 8, 8, 8, 8, 8, 5, 5, 5                |
| 56' (17069mm) | Layout A    | 8, 8, 8, 8, 8, 8, 8                   |
|               | Layout B    | 4, 4, 4, 4, 4, 4, 4, 4, 4, 4, 4, 4    |
| 57' (17374mm) | Layout A    | 6, 6, 6, 6, 6, 6, 6, 6, 3             |
|               | Layout B    | 8, 8, 8, 3, 3, 3, 8, 8, 8             |
| 58' (17678mm) | Layout A    | 5, 8, 8, 8, 8, 8, 5                   |
|               | Layout B    | 6, 6, 6, 6, 6, 6, 6, 6, 4             |
|               | Layout C    | 5, 5, 5, 5, 5, 5, 5, 5, 5, 5, 3       |
| 59' (17983mm) | Layout A    | 5, 5, 5, 5, 5, 5, 5, 5, 5, 4          |
|               | Layout B    | 8, 8, 8, 8, 8, 8, 3                   |
| 60' (18288mm) | Layout A    | 4, 4, 4, 4, 4, 4, 4, 4, 4, 4, 4, 4    |
|               | Layout B    | 6, 6, 6, 6, 6, 6, 6, 6, 6             |
| 61' (18593mm) | Layout A    | 8, 8, 8, 5, 8, 8, 8, 8                |
|               | Layout B    | 4, 4, 4, 4, 4, 4, 4, 4, 4, 4, 4, 5    |
| 62' (18898mm) | Layout A    | 8, 8, 8, 8, 8, 8, 6                   |
|               | Layout B    | 4, 6, 6, 6, 6, 6, 6, 6, 6, 4          |
|               | Layout C    | 3, 4, 4, 4, 4, 4, 4, 4, 4, 4, 4, 3    |
| 63' (19202mm) | Layout A    | 6, 6, 6, 6, 6, 6, 6, 6, 3             |
|               | Layout B    | 4, 4, 4, 4, 4, 4, 4, 4, 4, 4, 4, 3    |
| 64' (19507mm) | Layout A    | 8, 8, 8, 8, 8, 8, 8                   |
|               | Layout B    | 4, 4, 4, 4, 4, 4, 4, 4, 4, 4, 4, 4    |
| 65' (19812mm) | Layout A    | 5, 5, 5, 5, 5, 5, 5, 5, 5, 5          |
|               | Layout B    | 4, 4, 4, 4, 4, 4, 4, 4, 4, 4, 4, 5    |
| 66' (20117mm) | Layout A    | 6, 6, 6, 6, 6, 6, 6, 6, 6             |
|               | Layout B    | 5, 8, 8, 8, 8, 8, 8, 5                |
|               | Layout C    | 3, 5, 5, 5, 5, 5, 5, 5, 5, 5, 5, 3    |
| 67' (20422mm) | Layout A    | 8, 8, 8, 8, 8, 8, 8, 3                |
|               | Layout B    | 5, 5, 5, 5, 5, 5, 5, 5, 5, 4, 4, 4    |
| 68' (20726mm) | Layout A    | 8, 8, 8, 8, 8, 8, 8, 4                |
|               | Layout B    | 4, 4, 4, 4, 4, 4, 4, 4, 4, 4, 4, 4, 4 |

Find the length that matches your overall system length and choose Layout A, B or C.  
Please note section length limitations for your selected rail type.

To specify a non-standard layout, fill out the form at the bottom of page 1.

| Length        | Layout Code | Sections (in feet)                             |
|---------------|-------------|--|
| 69' (21031mm) | Layout A    | 6, 6, 6, 6, 6, 6, 6, 6, 6, 6, 3                |
|               | Layout B    | 8, 8, 8, 8, 8, 8, 8, 5                         |
|               | Layout C    | 4, 4, 4, 4, 4, 4, 4, 4, 4, 4, 4, 4, 4, 5       |
| 70' (21336mm) | Layout A    | 8, 8, 8, 8, 8, 8, 8, 6                         |
|               | Layout B    | 5, 5, 5, 5, 5, 5, 5, 5, 5, 5, 5, 5             |
| 71' (21641mm) | Layout A    | 8, 5, 5, 5, 5, 5, 5, 5, 5, 8                   |
|               | Layout B    | 4, 4, 4, 4, 4, 4, 4, 4, 4, 4, 4, 4, 4, 3       |
| 72' (21946mm) | Layout A    | 8, 8, 8, 8, 8, 8, 8, 8                         |
|               | Layout B    | 6, 6, 6, 6, 6, 6, 6, 6, 6, 6, 6                |
|               | Layout C    | 4, 4, 4, 4, 4, 4, 4, 4, 4, 4, 4, 4, 4, 4, 4    |
| 73' (22250mm) | Layout A    | 4, 4, 4, 4, 4, 4, 4, 4, 4, 4, 4, 4, 4, 4, 5    |
|               | Layout B    | 8, 3, 8, 8, 8, 3, 8, 8, 8, 3, 8                |
| 74' (22555mm) | Layout A    | 5, 8, 8, 8, 8, 8, 8, 8, 5                      |
|               | Layout B    | 4, 6, 6, 6, 6, 6, 6, 6, 6, 6, 6, 4             |
|               | Layout C    | 5, 5, 5, 5, 5, 5, 5, 5, 5, 5, 5, 5, 4          |
| 75' (22860mm) | Layout A    | 5, 5, 5, 5, 5, 5, 5, 5, 5, 5, 5, 5             |
|               | Layout B    | 6, 6, 6, 6, 6, 6, 6, 6, 6, 6, 6, 3             |
| 76' (23165mm) | Layout A    | 8, 8, 8, 8, 8, 8, 8, 8, 4                      |
|               | Layout B    | 4, 4, 4, 4, 4, 4, 4, 4, 4, 4, 4, 4, 4, 4, 4    |
| 77' (23470mm) | Layout A    | 8, 8, 8, 8, 8, 8, 8, 8, 5                      |
|               | Layout B    | 4, 4, 4, 4, 4, 4, 4, 4, 4, 4, 4, 4, 4, 4, 5    |
| 78' (23774mm) | Layout A    | 6, 6, 6, 6, 6, 6, 6, 6, 6, 6, 6, 6             |
|               | Layout B    | 8, 8, 8, 8, 8, 8, 8, 8, 6                      |
|               | Layout C    | 3, 4, 4, 4, 4, 4, 4, 4, 4, 4, 4, 4, 4, 4, 4, 3 |
| 79' (24079mm) | Layout A    | 8, 8, 8, 8, 8, 8, 8, 5, 5, 5                   |
|               | Layout B    | 5, 5, 5, 5, 5, 5, 5, 5, 5, 5, 5, 5, 4          |
| 80' (24384mm) | Layout A    | 8, 8, 8, 8, 8, 8, 8, 8, 8                      |
|               | Layout B    | 5, 5, 5, 5, 5, 5, 5, 5, 5, 5, 5, 5, 5          |
| 81' (24689mm) | Layout A    | 6, 6, 6, 6, 6, 6, 6, 6, 6, 6, 6, 3             |
|               | Layout B    | 4, 4, 4, 4, 4, 4, 4, 4, 4, 4, 4, 4, 4, 4, 5    |
| 82' (24994mm) | Layout A    | 5, 8, 8, 8, 8, 8, 8, 8, 8, 5                   |
|               | Layout B    | 6, 6, 6, 6, 6, 6, 6, 6, 6, 6, 6, 4             |
|               | Layout C    | 3, 4, 4, 4, 4, 4, 4, 4, 4, 4, 4, 4, 4, 4, 4, 3 |
| 83' (25298mm) | Layout A    | 8, 8, 8, 8, 8, 8, 8, 8, 8, 3                   |
|               | Layout B    | 4, 4, 4, 4, 4, 4, 4, 4, 4, 4, 4, 4, 4, 4, 4, 3 |
| 84' (25603mm) | Layout A    | 6, 6, 6, 6, 6, 6, 6, 6, 6, 6, 6, 6             |
|               | Layout B    | 8, 8, 8, 8, 8, 8, 8, 8, 8, 4                   |
| 85' (25908mm) | Layout A    | 5, 5, 5, 5, 5, 5, 5, 5, 5, 5, 5, 5, 5          |
|               | Layout B    | 8, 8, 8, 8, 8, 8, 8, 8, 8, 5                   |

| Length         | Layout Code | Sections (in feet)                                   |
|----------------|-------------|--|
| 86' (26213mm)  | Layout A    | 8, 8, 8, 8, 8, 8, 8, 8, 8, 6                         |
|                | Layout B    | 6, 6, 6, 6, 6, 6, 6, 6, 6, 6, 6, 8                   |
|                | Layout C    | 3, 4, 4, 4, 4, 4, 4, 4, 4, 4, 4, 4, 4, 4, 4, 4, 3    |
| 87' (26518mm)  | Layout A    | 6, 6, 6, 6, 6, 6, 6, 6, 6, 6, 6, 3                   |
|                | Layout B    | 8, 8, 8, 8, 8, 8, 8, 8, 5, 5, 5                      |
|                | Layout C    | 4, 4, 4, 4, 4, 4, 4, 4, 4, 4, 4, 4, 4, 4, 4, 4, 3    |
| 88' (26822mm)  | Layout A    | 8, 8, 8, 8, 8, 8, 8, 8, 8                            |
|                | Layout B    | 6, 6, 6, 6, 6, 6, 6, 6, 6, 6, 6, 4                   |
|                | Layout C    | 4, 4, 4, 4, 4, 4, 4, 4, 4, 4, 4, 4, 4, 4, 4, 4, 4    |
| 89' (27127mm)  | Layout A    | 8, 8, 8, 8, 8, 8, 8, 8, 8, 3, 3, 3                   |
|                | Layout B    | 5, 5, 5, 5, 5, 5, 5, 5, 5, 5, 5, 5, 5, 4             |
| 90' (27432mm)  | Layout A    | 6, 6, 6, 6, 6, 6, 6, 6, 6, 6, 6, 6                   |
|                | Layout B    | 5, 5, 5, 5, 5, 5, 5, 5, 5, 5, 5, 5, 5                |
| 91' (27737mm)  | Layout A    | 8, 8, 8, 8, 8, 8, 8, 8, 8, 3                         |
|                | Layout B    | 4, 4, 4, 4, 4, 4, 4, 4, 4, 4, 4, 4, 4, 4, 4, 4, 3    |
| 92' (28042mm)  | Layout A    | 8, 8, 8, 8, 8, 8, 8, 8, 8, 8, 4                      |
|                | Layout B    | 4, 6, 6, 6, 6, 6, 6, 6, 6, 6, 6, 6, 4                |
|                | Layout C    | 4, 4, 4, 4, 4, 4, 4, 4, 4, 4, 4, 4, 4, 4, 4, 4, 4, 4 |
| 93' (28346mm)  | Layout A    | 6, 6, 6, 6, 6, 6, 6, 6, 6, 6, 6, 3                   |
|                | Layout B    | 8, 8, 8, 8, 8, 8, 8, 8, 8, 5                         |
|                | Layout C    | 4, 4, 4, 4, 4, 4, 4, 4, 4, 4, 4, 4, 4, 4, 4, 4, 4, 5 |
| 94' (28651mm)  | Layout A    | 8, 8, 8, 8, 8, 8, 8, 8, 8, 6                         |
|                | Layout B    | 6, 6, 6, 6, 6, 6, 6, 6, 6, 6, 6, 6, 4                |
|                | Layout C    | 5, 5, 5, 5, 5, 5, 5, 5, 5, 5, 5, 5, 5, 5, 4          |
| 95' (28956mm)  | Layout A    | 5, 5, 5, 5, 5, 5, 5, 5, 5, 5, 5, 5, 5, 5             |
|                | Layout B    | 8, 8, 8, 8, 8, 8, 8, 8, 8, 5, 5                      |
| 96' (29261mm)  | Layout A    | 8, 8, 8, 8, 8, 8, 8, 8, 8, 8                         |
|                | Layout B    | 6, 6, 6, 6, 6, 6, 6, 6, 6, 6, 6, 6, 6                |
|                | Layout C    | 4, 4, 4, 4, 4, 4, 4, 4, 4, 4, 4, 4, 4, 4, 4, 4, 4, 4 |
| 97' (29566mm)  | Layout A    | 8, 8, 8, 8, 8, 8, 8, 8, 8, 3, 3, 3                   |
|                | Layout B    | 4, 4, 4, 4, 4, 4, 4, 4, 4, 4, 4, 4, 4, 4, 4, 4, 4, 5 |
| 98' (29870mm)  | Layout A    | 5, 8, 8, 8, 8, 8, 8, 8, 8, 8, 5                      |
|                | Layout B    | 4, 6, 6, 6, 6, 6, 6, 6, 6, 6, 6, 6, 6, 4             |
|                | Layout C    | 5, 5, 5, 5, 5, 5, 5, 5, 5, 5, 5, 5, 5, 5, 3          |
| 99' (30175mm)  | Layout A    | 6, 6, 6, 6, 6, 6, 6, 6, 6, 6, 6, 6, 3                |
|                | Layout B    | 8, 8, 8, 8, 8, 8, 8, 8, 8, 8, 3                      |
|                | Layout C    | 5, 5, 5, 5, 5, 5, 5, 5, 5, 5, 5, 5, 5, 5, 4          |
| 100' (30480mm) | Layout A    | 8, 8, 8, 8, 8, 8, 8, 8, 8, 8, 8, 4                   |
|                | Layout B    | 5, 5, 5, 5, 5, 5, 5, 5, 5, 5, 5, 5, 5, 5, 5          |