



Vode PDQ*

*Pretty Darn Quick

Ships in **10** days or less



When you need it ASAP we deliver it PDQ. We've established the PDQ program to dramatically simplify time-sensitive projects where deadlines are more consequential. Our most popular products in the 107, 707 and 907 families now available.

To place your PDQ order contact your local [Vode Agent](#).

System | 707

ZipOne® & ZipTwo®

2,500' Maximum*

ZipWave™

500' Maximum*

- All rail types
- All output levels
- All color temperatures
- 80 and 90 CRI available
- All standard rail lengths
- All standard mounting options
- Power: 0-10v with 0.1% or 1% dimming
- All standard finish options

System | 107

All Rail Types

500' Maximum*

- All rail types
- All output levels
- All color temperatures
- 80 and 90 CRI available
- All standard rail lengths
- All standard remote mounting options
- Power: 0-10v with 0.1% or 1% dimming
- All standard finish options

System | 907

BoxRail®

500' Maximum*

- All rail types
- All output levels
- All color temperatures
- 80 and 90 CRI available
- All standard rail lengths
- All standard mounting options
- Power: 0-10v with 0.1% or 1% dimming
- All standard finish options

* Maximum is total ft allowed per rail type. Multiple rail types allowed per order.

If Lutron drivers or other drivers not listed here are required for a PDQ order, please ask your Vode agent for a stock check. We often have these specialty drivers in stock and can ship them PDQ.

Freight Allowed

- Freight Allowed on PDQ order values \$5,000 or greater. Shipping method is ground, single truck LTL or FTL as applicable.
- PDQ Freight Allowed policy includes any product up to a maximum of 96" in length. For other shipping methods, please contact Vode.

Other Shipping Options

- Standard Systems not in PDQ: 2-6 weeks any standard system not listed above
- Modified Systems: 2-8 weeks typical includes modified rail lengths, power optimization, tunable white, corners, etc
- Custom Solutions: 8-16 weeks typical. Whatever your needs be they functional, mechanical, aesthetic. Vode will work with you to deliver the most satisfying solution.

Contents

System 107

	Page
BoxRail	3-5
Ceiling-Wall Arm	
Ceiling Cable	
Table Arm	
RaceRail	6-8
Ceiling-Wall Arm	
Ceiling Cable	
Table Arm	
WingRail	9-11
Ceiling-Wall Arm	
Ceiling Cable	
Table Arm	
DoubleBox Rail	12
Ceiling Cable	
DoubleRace Rail	13
Ceiling Cable	

System 707

ZipOne	14
ZipTwo	
Micro Profile	15-19
Round Profile	20
Square Profile	21-23
ZipWave	24

System 907

BoxRail	25
---------	----

Direct or indirect lighting for open office, wall wash and ambient applications.



Benefits & Features

Minimal Profile, Robust Design

Square profile, 1.14" (29mm) x 1.14" (29mm).

Superior Light Quality & Performance

Output up to 1484 lm/ft (4869 lm/m) (HO), 131 lm/W (SO). 80 or 90 CRI.

Adaptive Power

Full range dimming power for all protocols. Remote power available.

Better Optics & Beam Control Options

Batwing, FlyWing, MicroBaffle, diffuse lens and narrow optics available. Directional control with 370° rotation, angle gauge and lock.

[See Product](#)

BoxRail: direct or indirect, 370° rotation.

107-BX					
---------------	--	--	--	--	--

System & Rail Type	Single/Double Rail	System Length	Rail Length	Mounting	Arm Length
107-BX BoxRail	01 Single Rail 03 Double Rail with 3" (76mm) Tee 06 Double Rail with 6" (152mm) Tee 12 Double Rail with 12" (305mm) Tee	Specify overall system length in ft/in or M/mm. <i>up to 500' max per order</i>	24 24" (610mm) 36 36" (914mm) 48 48" (1219mm) 60 60" (1524mm) 72 72" (1829mm)	CA Ceiling Arm WA Wall Arm	1.25 1.25" arm (32mm) ¹ 3 3" arm (76mm) 6 6" arm (152mm) 12 12" arm (305mm) 18 18" arm (457mm) ² 24 24" arm (610mm) ²

		2	0	Z
--	--	----------	----------	----------

Power Location	Power Type	Voltage	Emergency Power	LED Type
Remote Power 00 Zero Canopy™ 0B Zero Block™ 2R Small Round Canopy 2S Small Square Canopy 4R Large Round Canopy 4S Large Square Canopy	Remote Power* AE eldoLED 0-10v, 1.0% Dimming AT eldoLED 0-10v, 0.1% Dimming *See Power Guide for driver features & limitations.	2 120v-277v	0 No Emergency Power	Z Zipper Board™

			0		
--	--	--	----------	--	--

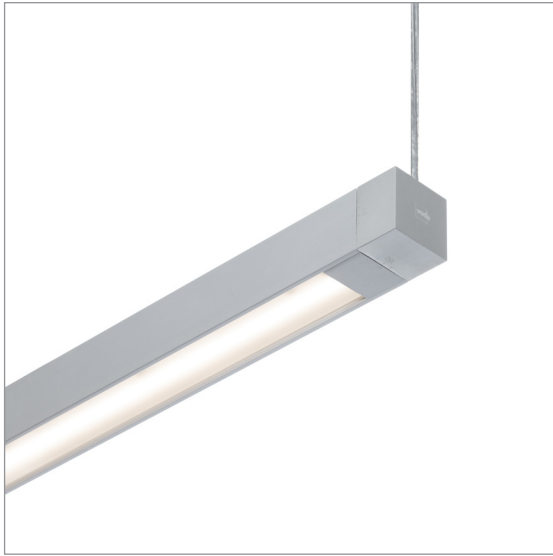
Lumen Output	Color Temperature	Optics	Sensors	Finish	Options
LO Low Output SO Standard Output HO High Output*	80+ CRI 27 2700K 30 3000K 35 3500K 40 4000K 90+ CRI 279 2700K 309 3000K 359 3500K 409 4000K	Zipper Board (Z) 1 Diffuse WB White Baffle BB Black Baffle G1 120° Batwing G2 120° FlyWing S1 40° Symmetric S2 60° Symmetric A1 85° Asymmetric	0 None	AL Clear Anodized WH White Painted BL Black Anodized	0 None 9 9' 18/3 Cord and Plug

NOTES & LIMITATIONS

¹ 1.25" arm length is not available with Zero Block (0B)

² For arms 18" and longer, wall-mounted systems include a cable tie-back

Direct or indirect lighting for open office and ambient applications.



BoxRail: direct or indirect, infinite rotation

Benefits & Features

Minimal Profile, Robust Design

Square profile, 1.14" (29mm) x 1.14" (29mm).

Superior Light Quality & Performance

Output up to 1484 lm/ft (4869 lm/m) (HO), 131 lm/W (SO), 80 or 90 CRI.

Adaptive Power

Full range dimming power for all protocols. Remote power available.

Better Optics & Beam Control Options

Batwing, FlyWing, MicroBaffle, diffuse lens and narrow optics available. Directional control with infinite rotation, angle gauge and lock.

[See Product](#)

107-BX	01			CC		»
--------	----	--	--	----	--	---

System & Rail Type	Single/Double Rail	System Length	Rail Length	Mounting	Cable Length	Power Location
107-BX BoxRail	01 Single Rail	Specify overall system length in ft/in or M/mm. up to 500' max per order	24 24" (610mm) 36 36" (914mm) 48 48" (1219mm) 60 60" (1524mm) 72 72" (1829mm)	CC Ceiling Cable	Field adjustable. 48 48" cable (1219mm) 96 96" cable (2438mm)	Remote Power 2R Small Round Canopy 4R Large Round Canopy

»	2	0	Z	»
---	---	---	---	---

Power Type	Voltage	Emergency Power	LED Type	Lumen Output
Remote Power* AE eldoLED 0-10v, 1.0% Dimming AT eldoLED 0-10v, 0.1% Dimming	2 120v-277v	0 No Emergency Power	Z Zipper Board™	LO Low Output SO Standard Output HO High Output*

*See [Power Guide](#) for driver features & limitations.

See [IES Files](#) page for details.

*See [Power Guide](#) for driver features & limitations.

»		0		
---	--	---	--	--

Color Temperature	Optics	Sensors	Finish	Options
80+ CRI 27 2700K 30 3000K 35 3500K 40 4000K 90+ CRI 279 2700K 309 3000K 359 3500K 409 4000K	Zipper Board (Z) 1 Diffuse WB White Baffle BB Black Baffle G1 120° Batwing G2 120° FlyWing S1 40° Symmetric S2 60° Symmetric A1 85° Asymmetric	0 None	AL Clear Anodized WH White Painted BL Black Anodized	0 None 9 9' 18/3 Cord and Plug

Task lighting for table, workstation, and carrel desk applications.



BoxRail: direct or indirect, 370° rotation

Benefits & Features

Minimal Profile, Robust Design

Square profile, 1.14" (29mm) x 1.14" (29mm).

Superior Light Quality & Performance

Output up to 1484 lm/ft (4869 lm/m) (HO), 131 lm/W (SO). 80 or 90 CRI.

Adaptive Power

Full range dimming power for all protocols. Remote power available.

Better Optics & Beam Control Options

Batwing, FlyWing™, MicroBaffle™, diffuse lens and narrow optics available.

Directional control with 370° rotation, angle gauge and lock.

[See Product](#)

107-BX				TA	18	»
--------	--	--	--	----	----	---

System & Rail Type	Single/Double Rail	System Length	Rail Length	Mounting	Arm Length
107-BX BoxRail	01 Single Rail 03 Double Rail with 3" (76mm) Tee 06 Double Rail with 6" (152mm) Tee 12 Double Rail with 12" (305mm) Tee	Specify overall system length in ft/in or M/mm. <i>up to 500' max per order</i>	24 24" (610mm) 36 36" (914mm) 48 48" (1219mm) 60 60" (1524mm) 72 72" (1829mm)	TA Table Arm	18 18" arm (457mm)

»	2T		2	0	Z	»
---	----	--	---	---	---	---

Power Location	Power Type	Voltage	Emergency Power	LED Type
Remote Power 2T Arm Anchor	Remote Power* AE eldoLED 0-10v, 1.0% Dimming AT eldoLED 0-10v, 0.1% Dimming <i>*See Power Guide for driver features & limitations.</i>	2 120v-277v	0 No Emergency Power	Z Zipper Board™

»			0		
---	--	--	---	--	--

Lumen Output	Color Temperature	Optics	Sensors	Finish	Options
LO Low Output SO Standard Output HO High Output*	80+ CRI 27 2700K 30 3000K 35 3500K 40 4000K 90+ CRI 279 2700K 309 3000K 359 3500K 409 4000K	Zipper Board (Z) 1 Diffuse WB White Baffle BB Black Baffle G1 120° Batwing G2 120° FlyWing S1 40° Symmetric S2 60° Symmetric A1 85° Asymmetric	0 None	AL Clear Anodized WH White Painted BL Black Anodized	0 None 9 9' 18/3 Cord and Plug

See [IES Files](#) page for details.

*See [Power Guide](#) for driver features & limitations.

Direct or indirect lighting for open office, wall wash and ambient applications.



Benefits & Features

Super Slim, Adaptive Design
Round profile, Ø1.12" (28mm).

Superior Light Quality & Performance
Output up to 1507 lm/ft (4943 lm/m) (HO), 132 lm/W (SO). 80 or 90 CRI.

Adaptive Power
Full range dimming power for all protocols. Remote power available.

Better Optics & Beam Control Options
Batwing, FlyWing, and diffuse lens available. Directional control with 370° rotation, angle gauge and lock.

[See Product](#)

RaceRail: direct or indirect, 370° rotation

107-RR					»
---------------	--	--	--	--	---

System & Rail Type	Single/Double Rail	System Length	Rail Length	Mounting	Arm Length
107-RR RaceRail	01 Single Rail 03 Double Rail with 3" (76mm) Tee 06 Double Rail with 6" (152mm) Tee 12 Double Rail with 12" (305mm) Tee	Specify overall system length in ft/in or M/mm. <i>up to 500' max per order</i>	24 24" (610mm) 36 36" (914mm) 48 48" (1219mm) 60 60" (1524mm) 72 72" (1829mm)	CA Ceiling Arm WA Wall Arm	1.25 1.25" arm (32mm) ¹ 3 3" arm (76mm) 6 6" arm (152mm) 12 12" arm (305mm) 18 18" arm (457mm) ² 24 24" arm (610mm) ²

»		2	0	Z	»
---	--	----------	----------	----------	---

Power Location	Power Type	Voltage	Emergency Power	LED Type
Remote Power 00 Zero Canopy™ 0B Zero Block™ 2R Small Round Canopy 2S Small Square Canopy 4R Large Round Canopy 4S Large Square Canopy	Remote Power* AE eldoLED 0-10v, 1.0% Dimming AT eldoLED 0-10v, 0.1% Dimming *See Power Guide for driver features & limitations.	2 120v-277v	0 No Emergency Power	Z Zipper Board™

»			0		
---	--	--	----------	--	--

Lumen Output	Color Temperature	Optics	Sensors	Finish	Options
LO Low Output SO Standard Output HO High Output*	80+ CRI 27 2700K 30 3000K 35 3500K 40 4000K 90+ CRI 279 2700K 309 3000K 359 3500K 409 4000K	Zipper Board (Z) 2 Diffuse, round G1 120° Batwing G2 120° FlyWing	0 None	AL Clear Anodized WH White Painted BL Black Anodized	0 None 9 9' 18/3 Cord and Plug

See [IES Files](#) page for details.

*See [Power Guide](#) for driver features & limitations.

NOTES & LIMITATIONS

¹ 1.25" arm length is not available with Zero Block (0B)

² For arms 18" and longer, wall-mounted systems include a cable tie-back

Direct or indirect lighting for open office and ambient applications.



Benefits & Features

Minimal Profile, Robust Design

Round profile, Ø1.12" (28mm).

Superior Light Quality & Performance

Output up to 1507 lm/ft (4943 lm/m) (HO), 132 lm/W (SO), 80 or 90 CRI.

Adaptive Power

Full range dimming power for all protocols. Remote power available.

Better Optics & Beam Control Options

Batwing, FlyWing, and diffuse lens available. Directional control with infinite rotation, angle gauge and lock.

[See Product](#)

RaceRail: direct or indirect, infinite rotation

107-RR	01			CC		»
--------	----	--	--	----	--	---

System & Rail Type	Single/Double Rail	System Length	Rail Length	Mounting	Cable Length	Power Location
107-RR RaceRail	01 Single Rail	Specify overall system length in ft/in or M/mm. <i>up to 500' max per order</i>	24 24" (610mm) 36 36" (914mm) 48 48" (1219mm) 60 60" (1524mm) 72 72" (1829mm)	CC Ceiling Cable	<i>Field adjustable.</i> 48 48" cable (1219mm) 96 96" cable (2438mm)	Remote Power 2R Small Round Canopy 4R Large Round Canopy

»	2	0	Z	»
---	---	---	---	---

Power Type	Voltage	Emergency Power	LED Type	Lumen Output
Remote Power* AE eldoLED 0-10v, 1.0% Dimming AT eldoLED 0-10v, 0.1% Dimming	2 120v-277v	0 No Emergency Power	Z Zipper Board™	LO Low Output SO Standard Output HO High Output*

*See [Power Guide](#) for driver features & limitations.

See [IES Files](#) page for details.

*See [Power Guide](#) for driver features & limitations.

»		0		
---	--	---	--	--

Color Temperature	Optics	Sensors	Finish	Options
80+ CRI 27 2700K 30 3000K 35 3500K 40 4000K 90+ CRI 279 2700K 309 3000K 359 3500K 409 4000K	Zipper Board (Z) 2 Diffuse, round G1 120° Batwing G2 120° FlyWing	0 None	AL Clear Anodized WH White Painted BL Black Anodized	0 None 9 9' 18/3 Cord and Plug

Task lighting for table, workstation, and carrel desk applications.



RaceRail: direct or indirect, 370° rotation

Benefits & Features

Super Slim, Adaptive Design

Round profile, Ø1.12" (28mm).

Superior Light Quality & Performance

Output up to 1507 lm/ft (4943 lm/m) (HO), 132 lm/W (SO). 80 or 90 CRI.

Adaptive Power

Full range dimming power for all protocols. Remote power available.

Better Optics & Beam Control Options

Batwing, FlyWing, and diffuse lens available. Directional control with 370° rotation, angle gauge and lock.

[See Product](#)

107-RR				TA	18	»
--------	--	--	--	----	----	---

System & Rail Type	Single/Double Rail	System Length	Rail Length	Mounting	Arm Length
107-RR RaceRail	01 Single Rail 03 Double Rail with 3" (76mm) Tee 06 Double Rail with 6" (152mm) Tee 12 Double Rail with 12" (305mm) Tee	Specify overall system length in ft/in or M/mm. <i>up to 500' max per order</i>	24 24" (610mm) 36 36" (914mm) 48 48" (1219mm) 60 60" (1524mm) 72 72" (1829mm)	TA Table Arm	18 18" arm (457mm)

» 2T		2	0	Z	»
------	--	---	---	---	---

Power Location	Power Type	Voltage	Emergency Power	LED Type
Remote Power 2T Arm Anchor	Remote Power* AE eldoLED 0-10v, 1.0% Dimming AT eldoLED 0-10v, 0.1% Dimming <i>*See Power Guide for driver features & limitations.</i>	2 120v-277v	0 No Emergency Power	Z Zipper Board™

»			0		
---	--	--	---	--	--

Lumen Output	Color Temperature	Optics	Sensors	Finish	Options
LO Low Output SO Standard Output HO High Output*	80+ CRI 27 2700K 30 3000K 35 3500K 40 4000K 90+ CRI 279 2700K 309 3000K 359 3500K 409 4000K	Zipper Board (Z) 2 Diffuse, round G1 120° Batwing G2 120° FlyWing	0 None	AL Clear Anodized WH White Painted BL Black Anodized	0 None 9 9' 18/3 Cord and Plug

See [IES Files](#) page for details.

*See [Power Guide](#) for driver features & limitations.

Direct or indirect lighting for wall wash, grazing and ceiling wash applications.



Benefits & Features

Minimal Profile, Robust Design

Asymmetric profile, 1.14" (29mm) x 2.12" (54mm).

Superior Light Quality & Performance

Output up to 1376 lm/ft (4516 lm/m) (HO), 121 lm/W (SO). 80 or 90 CRI.

Adaptive Power

Full range dimming power for all protocols. Remote power available.

Better Optics & Beam Control Options

Asymmetric distribution. White or black baffle, EdgeSoft lens or diffuse lens and narrow optics available. Directional control with 370° rotation, angle gauge and lock.

[See Product](#)

WingRail: direct or indirect, 370° rotation.

107-WG					»
---------------	--	--	--	--	---

System & Rail Type	Single/Double Rail	System Length	Rail Length	Mounting	Arm Length
107-WG WingRail™	01 Single Rail 03 Double Rail with 3" (76mm) Tee 06 Double Rail with 6" (152mm) Tee 12 Double Rail with 12" (305mm) Tee	Specify overall system length in ft/in or M/mm. <i>up to 500' max per order</i>	24 24" (610mm) 36 36" (914mm) 48 48" (1219mm) 60 60" (1524mm) 72 72" (1829mm)	CA Ceiling Arm WA Wall Arm	1.25 1.25" arm (32mm) ¹ 3 3" arm (76mm) 6 6" arm (152mm) 12 12" arm (305mm) 18 18" arm (457mm) ² 24 24" arm (610mm) ²

»		2	0	Z	»
---	--	----------	----------	----------	---

Power Location	Power Type	Voltage	Emergency Power	LED Type
Remote Power 00 Zero Canopy™ 0B Zero Block™ 2R Small Round Canopy 2S Small Square Canopy 4R Large Round Canopy 4S Large Square Canopy	Remote Power* AE eldoLED 0-10v, 1.0% Dimming AT eldoLED 0-10v, 0.1% Dimming *See Power Guide for driver features & limitations.	2 120v-277v	0 No Emergency Power	Z Zipper Board™

»			0		
---	--	--	----------	--	--

Lumen Output	Color Temperature	Optics	Sensors	Finish	Options
LO Low Output SO Standard Output HO High Output*	80+ CRI 27 2700K 30 3000K 35 3500K 40 4000K 90+ CRI 279 2700K 309 3000K 359 3500K 409 4000K	Zipper Board (Z) WB White Baffle with EdgeSoft™ BB Black Baffle with EdgeSoft C1 Clear with EdgeSoft D1 Diffuse	0 None	AL Clear Anodized WH White Painted BL Black Anodized	0 None 9 9' 18/3 Cord and Plug

See [IES Files](#) page for details.

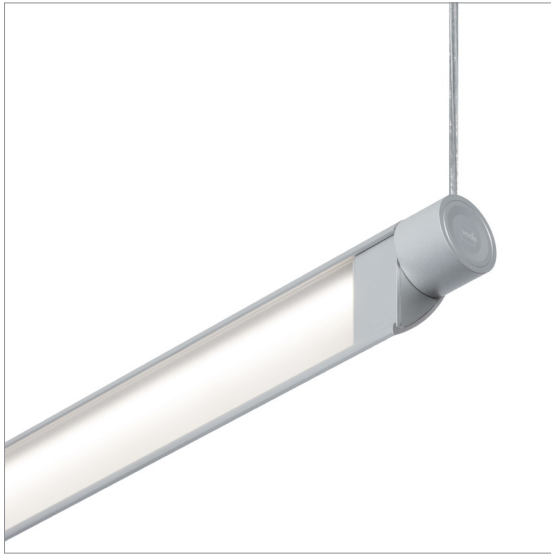
*See [Power Guide](#) for driver features & limitations.

NOTES & LIMITATIONS

¹ 1.25" arm length is not available with Zero Block (0B)

² For arms 18" and longer, wall-mounted systems include a cable tie-back

Direct or indirect lighting for wall wash, grazing and ceiling wash applications.



WingRail: direct or indirect, infinite rotation

Benefits & Features

Minimal Profile, Robust Design

Asymmetric profile, 1.14" (29mm) x 2.12" (54mm).

Superior Light Quality & Performance

Output up to 1376 lm/ft (4516 lm/m) (HO), 121 lm/W (SO). 80 or 90 CRI.

Adaptive Power

Full range dimming power for all protocols. Remote power available.

Better Optics & Beam Control Options

Asymmetric distribution. White or black baffle, EdgeSoft™ lens or diffuse lens and narrow optics available. Directional control with infinite rotation, angle gauge and lock.

[See Product](#)

107-WG	01			CC		»
--------	----	--	--	----	--	---

System & Rail Type	Single/Double Rail	System Length	Rail Length	Mounting	Cable Length	Power Location
107-WG WingRail	01 Single Rail	Specify overall system length in ft/in or M/mm. <i>up to 500' max per order</i>	24 24" (610mm) 36 36" (914mm) 48 48" (1219mm) 60 60" (1524mm) 72 72" (1829mm)	CC Ceiling Cable	<i>Field adjustable.</i> 48 48" cable (1219mm) 96 96" cable (2438mm)	Remote Power 2R Small Round Canopy 4R Large Round Canopy

»	2	0	Z	»
---	---	---	---	---

Power Type	Voltage	Emergency Power	LED Type	Lumen Output
Remote Power* AE eldoLED 0-10v, 1.0% Dimming AT eldoLED 0-10v, 0.1% Dimming	2 120v-277v	0 No Emergency Power	Z Zipper Board™	LO Low Output SO Standard Output HO High Output*

*See [Power Guide](#) for driver features & limitations.

See [IES Files](#) page for details.

*See [Power Guide](#) for driver features & limitations.

»		0		
---	--	---	--	--

Color Temperature	Optics	Sensors	Finish	Options
80+ CRI 27 2700K 30 3000K 35 3500K 40 4000K 90+ CRI 279 2700K 309 3000K 359 3500K 409 4000K	Zipper Board (Z) WB White Baffle with EdgeSoft™ BB Black Baffle with EdgeSoft C1 Clear with EdgeSoft D1 Diffuse	0 None	AL Clear Anodized WH White Painted BL Black Anodized	0 None 9 9' 18/3 Cord and Plug

Task lighting for table, workstation, and carrel desk applications.



WingRail: direct or indirect, 370° rotation

Benefits & Features

Minimal Profile, Robust Design

Asymmetric profile, 1.14" (29mm) x 2.12" (54mm).

Superior Light Quality & Performance

Output up to 1376 lm/ft (4516 lm/m) (HO), 121 lm/W (SO). 80 or 90 CRI.

Adaptive Power

Full range dimming power for all protocols. Remote power available.

Better Optics & Beam Control Options

Asymmetric distribution. White or black baffle, EdgeSoft™ lens or diffuse lens and narrow optics available. Directional control with 370° rotation, angle gauge and lock.

[See Product](#)

107-WG				TA	18	»
--------	--	--	--	----	----	---

System & Rail Type	Single/Double Rail	System Length	Rail Length	Mounting	Arm Length
107-WG WingRail	01 Single Rail 03 Double Rail with 3" (76mm) Tee 06 Double Rail with 6" (152mm) Tee 12 Double Rail with 12" (305mm) Tee	Specify overall system length in ft/in or M/mm. <i>up to 500' max per order</i>	24 24" (610mm) 36 36" (914mm) 48 48" (1219mm) 60 60" (1524mm) 72 72" (1829mm)	TA Table Arm	18 18" arm (457mm)

»	2T		2	0	Z	»
---	----	--	---	---	---	---

Power Location	Power Type	Voltage	Emergency Power	LED Type
Remote Power 2T Arm Anchor	Remote Power* AE eldoLED 0-10v, 1.0% Dimming AT eldoLED 0-10v, 0.1% Dimming <i>*See Power Guide for driver features & limitations.</i>	2 120v-277v	0 No Emergency Power	Z Zipper Board™

»			0		
---	--	--	---	--	--

Lumen Output	Color Temperature	Optics	Sensors	Finish	Options
LO Low Output SO Standard Output HO High Output*	80+ CRI 27 2700K 30 3000K 35 3500K 40 4000K 90+ CRI 279 2700K 309 3000K 359 3500K 409 4000K	Zipper Board (Z) WB White Baffle with EdgeSoft™ BB Black Baffle with EdgeSoft C1 Clear with Edge Softening D1 Diffuse	0 None	AL Clear Anodized WH White Painted BL Black Anodized	0 None 9 9' 18/3 Cord and Plug

See [IES Files](#) page for details.
*See [Power Guide](#) for driver features & limitations.

Direct/indirect lighting for ambient, open office, conference room and wall wash applications.



DoubleBox, direct/indirect

Benefits & Features

Minimal Profile, Robust Design

Rectangular profile, 2.48" (63mm) x 1.14" (29mm).

Superior Light Quality & Performance

Output up to 2972 lm/ft (9752 lm/m) (HO), 131 Lm/W (SO), 80/90 CRI .

Adaptive Power

Full range dimming power for all protocols. Remote power available.

Better Optics & Beam Control

Options of Batwing, FlyWing, black or white baffle, diffuse lens and narrow optics for ambient, grazing or wall wash. Excellent glare control using optical film and patented MicroBaffle.

See Product

107-DB	01			CC		»
--------	----	--	--	----	--	---

System & Rail Type	Single/Double Rail	System Length	Rail Length	Mounting	Cable Length	Power Location
107-DB DoubleBox	01 Single Rail	Specify overall system length in ft/in or M/mm. <i>up to 500' max per order</i>	24 24" (610mm) 36 36" (914mm) 48 48" (1219mm) 60 60" (1524mm) 72 72" (1820mm) 96 96" (2438mm)	CC Ceiling Cable	<i>Field adjustable.</i> 48 48" cable (1219mm) 96 96" cable (2438mm)	Remote Power 2R Small Round Canopy 4R Large Round Canopy

»	2	0	Z	»
---	---	---	---	---

Power Type	Voltage	Emergency Power	LED Type	Lumen Output
Remote Power* AE eldoLED 0-10v, 1.0% Dimming AT eldoLED 0-10v, 0.1% Dimming	2 120v-277v	0 No Emergency Power	Z Zipper Board™	LO Low Output SO Standard Output HO High Output*

*See [Power Guide](#) for driver features & limitations.

See [IES Files](#) page for details.

*See [Power Guide](#) for driver features & limitations.

»		0			»
---	--	---	--	--	---

Color Temperature	Optics	Sensors	Finish	Options
80+ CRI 27 2700K 30 3000K 35 3500K 40 4000K 90+ CRI 279 2700K 309 3000K 359 3500K 409 4000K	Zipper Board (Z) G12 120° Batwing, up Diffuse, down G1WB 120° Batwing, up White Baffle, down G1BB 120° Batwing, up Black Baffle, down G1S1 120° Batwing, up 40° Symmetric, down G1S2 120° Batwing, up 60° Symmetric, down G1A1 120° Batwing, up 85° Asymmetric, down G1G2 120° Batwing, up 120° FlyWing, down	0 None	AL Clear Anodized WH White Painted BL Black Anodized	0 None 9 9' 18/3 Cord and Plug

Direct/indirect lighting for open office and ambient applications.



DoubleRace, direct/indirect

Benefits & Features

Minimalistic, Robust Design

Oval profile, 2.41" (61mm) x 1.14" (29mm).

Superior Light Quality & Performance

Output up to 2888 lm/ft (9474 lm/m) (HO), 126 lm/W (SO). 80 or 90 CRI.

Adaptive Power

Full range dimming power for all protocols. Remote power available.

Simple Installation

Modular snap-fit assembly for quick installation and maintenance.

[See Product](#)

107-DR	01			CC		»
--------	----	--	--	----	--	---

System & Rail Type	Single/Double Rail	System Length	Rail Length	Mounting	Cable Length	Power Location
107-DR DoubleRace	01 Single Rail	Specify overall system length in ft/in or M/mm. up to 500' max per order	24 24" (610mm) 36 36" (914mm) 48 48" (1219mm) 60 60" (1524mm) 72 72" (1820mm) 96 96" (2438mm)	CC Ceiling Cable	Field adjustable. 48 48" cable (1219mm) 96 96" cable (2438mm)	Remote Power 2R Small Round Canopy 4R Large Round Canopy

»	2	0	Z	»
---	---	---	---	---

Power Type	Voltage	Emergency Power	LED Type	Lumen Output
Remote Power* AE eldoLED 0-10v, 1.0% Dimming AT eldoLED 0-10v, 0.1% Dimming	2 120v-277v	0 No Emergency Power	Z Zipper Board™	LO Low Output SO Standard Output HO High Output*

*See [Power Guide](#) for driver features & limitations.

See [IES Files](#) page for details.

*See [Power Guide](#) for driver features & limitations.

»		0		
---	--	---	--	--

Color Temperature	Optics	Sensors	Finish	Options
80+ CRI 27 2700K 30 3000K 35 3500K 40 4000K 90+ CRI 279 2700K 309 3000K 359 3500K 409 4000K	Zipper Board (Z) 22 Diffuse, Round, up Diffuse, Round, down G12 120° Batwing, Flat, up Diffuse, Round, down G1G2 120° Batwing, Flat, up 120° FlyWing, Flat, down	0 None	AL Clear Anodized WH White Painted BL Black Anodized	0 None 9 9' 18/3 Cord and Plug

Accent or task lighting for under cabinet, cove and reveal accent



ZipTwo 100° Asymmetric

Benefits & Features

Low Profile Design

Flat profile: 0.30" (7mm) x 1.14" (29mm).

Superior Light Quality & Performance

Output up to 1193 lm/ft (3913 lm/m) (HO), 122 lm/W (HO). 80 or 90 CRI available.

Versatile Mounting Options, Easy Installation

Magnet with tape-on metal strip or low profile clip allow for mounting to almost any surface.

Better Optics & Beam Control

100° beam distribution with EdgeSoft lens for excellent cutoff and glare control.

See Product

707-Z1	SL				0 ▶▶
---------------	-----------	--	--	--	-------------

System & Rail Type	System Type	System Length	Rail Length	Mounting	Arm/Cord Length
707-Z1 ZipOne	SL Standard Linear	Specify overall system length in ft/in or M/mm. <i>up to 2,500' max per order</i>	24 24" (610mm) 36 36" (914mm) 48 48" (1219mm) 60 60" (1524mm) 72 72" (1829mm) 96 96" (2438mm)	C Clip T Magnet with Tape-On Metal Strip	0 None

▶▶ RP		2	0	Z ▶▶
--------------	--	----------	----------	-------------

Power Location	Power Type	Voltage	Emergency Power	LED Type
RP Remote Power	Remote Power* AE eldoLED 0-10v, 1.0% Dimming AT eldoLED 0-10v, 0.1% Dimming	2 120v-277v	0 No Emergency Power	Z Zipper Board™

*See [Power Guide](#) for driver features & limitations.

▶▶		A2	0	AL	
----	--	-----------	----------	-----------	--

Lumen Output	Color Temperature	Optics	Sensors	Finish	Options
LO Low Output SO Standard Output HO High Output	80+ CRI 27 2700K 30 3000K 35 3500K 40 4000K 90+ CRI 279 2700K 309 3000K 359 3500K 409 4000K	A2 100° Asymmetric	0 None	AL Clear Anodized	3 3.5" (89mm) Fixture Cord 18 18" (457mm) Fixture Cord 36 36" (914mm) Fixture Cord

See [IES Files](#) page for details.
*See [Power Guide](#) for driver features & limitations.

Direct lighting for open office and general illumination applications



ZipTwo 85° Asymmetric shown

Benefits & Features

Low Profile Design

Micro profile: 0.36" (9mm) x 1.38" (35mm).

Superior Light Quality & Performance

Output up to 1188 lm/ft (3897 lm/m) (HO), 121 lm/W (HO). 80 or 90 CRI available.

Versatile Mounting Options, Easy Installation

Magnet with tape-on metal strip, strut clip or low profile clips allow for mounting to almost any surface or T-Bar ceiling.

Better Optics & Beam Control

Excellent glare control with MicroBaffle™.

[See Product](#)

707-Z2	SL				0 ▶▶
---------------	-----------	--	--	--	-------------

System & Rail Type	System Type	System Length	Rail Length	Mounting	Arm/Cord Length
707-Z2 ZipTwo	SL Standard Linear	Specify overall system length in ft/in or M/mm. <i>up to 2,500' max per order</i>	24 24" (610mm) 36 36" (914mm) 48 48" (1219mm) 60 60" (1524mm) 72 72" (1829mm) 96 96" (2438mm)	C Clip CM Clip with Micro J-Box T Magnet with Tape-On Metal Strip T1 9/16" T-Bar Clip, low profile T2 15/16" T-Bar Clip, low profile T3 15/16" T-Bar Clip, medium profile T4 15/16" T-Bar Clip, concealed T5 9/16" T-Bar Clip, medium profile T6 Slotted T-Bar Clip T7 Dimensional T-Bar Clip SC Strut Channel Clip	0 None

▶▶ RP		2	0	Z ▶▶
--------------	--	----------	----------	-------------

Power Location	Power Type	Voltage	Emergency Power	LED Type
RP Remote Power	Remote Power* AE eldoLED 0-10v, 1.0% Dimming AT eldoLED 0-10v, 0.1% Dimming	2 120v-277v	0 No Emergency Power	Z Zipper Board™

*See [Power Guide](#) for driver features & limitations.

▶▶		A1	0	0
----	--	-----------	----------	----------

Lumen Output	Color Temperature	Optics	Sensors	Finish	Options
LO Low Output SO Standard Output HO High Output	80+ CRI 27 2700K 30 3000K 35 3500K 40 4000K 90+ CRI 279 2700K 309 3000K 359 3500K 409 4000K	A1 85° Asymmetric S1 40° Symmetric S2 60° Symmetric S3 120° Symmetric D3 Diffuse D4 Diffuse with MicroBaffle	0 None	WH White BL Black	0 None

See [IES Files](#) page for details.

*See [Power Guide](#) for driver features & limitations.

Direct lighting for open office and general illumination applications



ZipTwo 40° Symmetric shown

Benefits & Features

Low Profile Design

Micro profile: 0.36" (9mm) x 1.38" (35mm).

Superior Light Quality & Performance

Output up to 1188 lm/ft (3897 lm/m) (HO), 121 lm/W (HO). 80 or 90 CRI available.

Versatile Mounting Options, Easy Installation

Magnet with tape-on metal strip, strut clip or low profile clips allow for mounting to almost any surface or T-Bar ceiling.

Better Optics & Beam Control

Excellent glare control with MicroBaffle™.

[See Product](#)

707-Z2	SL				0
--------	----	--	--	--	---

System & Rail Type	System Type	System Length	Rail Length	Mounting	Arm/Cord Length
707-Z2 ZipTwo	SL Standard Linear	Specify overall system length in ft/in or M/mm. <i>up to 2,500' max per order</i>	24 24" (610mm) 36 36" (914mm) 48 48" (1219mm) 60 60" (1524mm) 72 72" (1829mm) 96 96" (2438mm)	C Clip CM Clip with Micro J-Box T Magnet with Tape-On Metal Strip T1 9/16" T-Bar Clip, low profile T2 15/16" T-Bar Clip, low profile T3 15/16" T-Bar Clip, medium profile T4 15/16" T-Bar Clip, concealed T5 9/16" T-Bar Clip, medium profile T6 Slotted T-Bar Clip T7 Dimensional T-Bar Clip SC Strut Channel Clip	0 None

RP		2	0	Z
----	--	---	---	---

Power Location	Power Type	Voltage	Emergency Power	LED Type
RP Remote Power	Remote Power* AE eldoLED 0-10v, 1.0% Dimming AT eldoLED 0-10v, 0.1% Dimming	2 120v-277v	0 No Emergency Power	Z Zipper Board™

*See [Power Guide](#) for driver features & limitations.

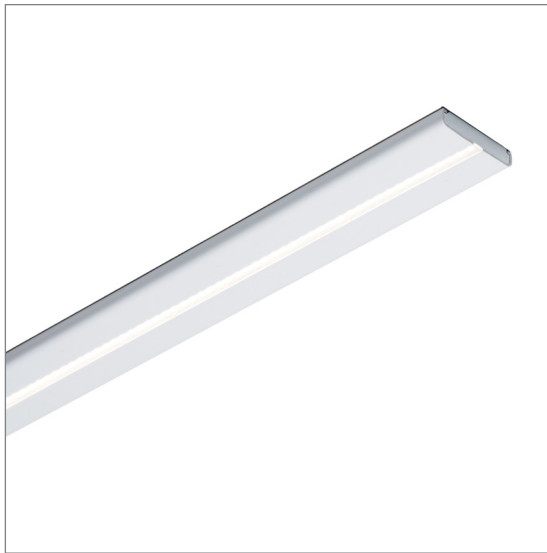
		S1	0		0
--	--	----	---	--	---

Lumen Output	Color Temperature	Optics	Sensors	Finish	Options
LO Low Output SO Standard Output HO High Output	80+ CRI 27 2700K 30 3000K 35 3500K 40 4000K 90+ CRI 279 2700K 309 3000K 359 3500K 409 4000K	A1 85° Asymmetric S1 40° Symmetric S2 60° Symmetric S3 120° Symmetric D3 Diffuse D4 Diffuse with MicroBaffle	0 None	WH White BL Black	0 None

See [IES Files](#) page for details.

*See [Power Guide](#) for driver features & limitations.

Direct lighting for open office and general illumination applications



ZipTwo 60° Symmetric shown

Benefits & Features

Low Profile Design

Micro profile: 0.36" (9mm) x 1.38" (35mm).

Superior Light Quality & Performance

Output up to 1188 lm/ft (3897 lm/m) (HO), 121 lm/W (HO). 80 or 90 CRI available.

Versatile Mounting Options, Easy Installation

Magnet with tape-on metal strip, strut clip or low profile clips allow for mounting to almost any surface or T-Bar ceiling.

Better Optics & Beam Control

Excellent glare control with MicroBaffle™.

[See Product](#)

707-Z2	SL				0 ▶▶
---------------	-----------	--	--	--	-------------

System & Rail Type	System Type	System Length	Rail Length	Mounting	Arm/Cord Length
707-Z2 ZipTwo	SL Standard Linear	Specify overall system length in ft/in or M/mm. <i>up to 2,500' max per order</i>	24 24" (610mm) 36 36" (914mm) 48 48" (1219mm) 60 60" (1524mm) 72 72" (1829mm) 96 96" (2438mm)	C Clip CM Clip with Micro J-Box T Magnet with Tape-On Metal Strip T1 9/16" T-Bar Clip, low profile T2 15/16" T-Bar Clip, low profile T3 15/16" T-Bar Clip, medium profile T4 15/16" T-Bar Clip, concealed T5 9/16" T-Bar Clip, medium profile T6 Slotted T-Bar Clip T7 Dimensional T-Bar Clip SC Strut Channel Clip	0 None

▶▶ RP		2	0	Z ▶▶
--------------	--	----------	----------	-------------

Power Location	Power Type	Voltage	Emergency Power	LED Type
RP Remote Power	Remote Power* AE eldoLED 0-10v, 1.0% Dimming AT eldoLED 0-10v, 0.1% Dimming	2 120v-277v	0 No Emergency Power	Z Zipper Board™

*See [Power Guide](#) for driver features & limitations.

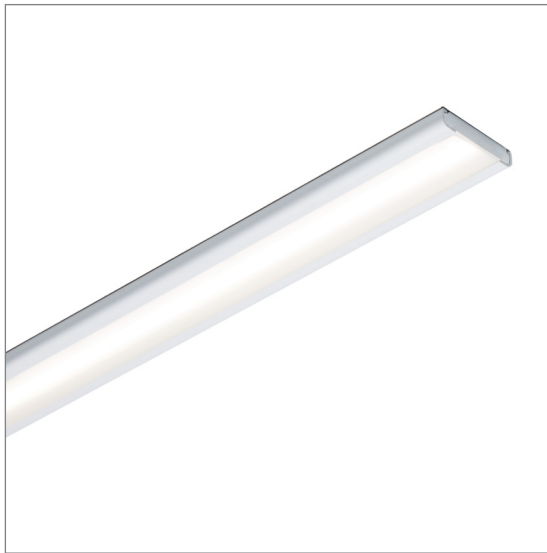
▶▶		S2	0	0
----	--	-----------	----------	----------

Lumen Output	Color Temperature	Optics	Sensors	Finish	Options
LO Low Output SO Standard Output HO High Output	80+ CRI 27 2700K 30 3000K 35 3500K 40 4000K 90+ CRI 279 2700K 309 3000K 359 3500K 409 4000K	A1 85° Asymmetric S1 40° Symmetric S2 60° Symmetric S3 120° Symmetric D3 Diffuse D4 Diffuse with MicroBaffle	0 None	WH White BL Black	0 None

See [IES Files](#) page for details.

*See [Power Guide](#) for driver features & limitations.

Direct lighting for open office and general illumination applications



ZipTwo 120° Symmetric shown

Benefits & Features

Low Profile Design

Micro profile: 0.36" (9mm) x 1.38" (35mm).

Superior Light Quality & Performance

Output up to 1188 lm/ft (3897 lm/m) (HO), 121 lm/W (HO). 80 or 90 CRI available.

Versatile Mounting Options, Easy Installation

Magnet with tape-on metal strip, strut clip or low profile clips allow for mounting to almost any surface or T-Bar ceiling.

Better Optics & Beam Control

Excellent glare control with optical film.

[See Product](#)

707-Z2	SL				0 ▶▶
---------------	-----------	--	--	--	-------------

System & Rail Type	System Type	System Length	Rail Length	Mounting	Arm/Cord Length
707-Z2 ZipTwo	SL Standard Linear	Specify overall system length in ft/in or M/mm. <i>up to 2,500' max per order</i>	24 24" (610mm) 36 36" (914mm) 48 48" (1219mm) 60 60" (1524mm) 72 72" (1829mm) 96 96" (2438mm)	C Clip CM Clip with Micro J-Box T Magnet with Tape-On Metal Strip T1 9/16" T-Bar Clip, low profile T2 15/16" T-Bar Clip, low profile T3 15/16" T-Bar Clip, medium profile T4 15/16" T-Bar Clip, concealed T5 9/16" T-Bar Clip, medium profile T6 Slotted T-Bar Clip T7 Dimensional T-Bar Clip SC Strut Channel Clip	0 None

▶▶ RP		2	0	Z ▶▶
--------------	--	----------	----------	-------------

Power Location	Power Type	Voltage	Emergency Power	LED Type
RP Remote Power	Remote Power* AE eldoLED 0-10v, 1.0% Dimming AT eldoLED 0-10v, 0.1% Dimming	2 120v-277v	0 No Emergency Power	Z Zipper Board™

*See [Power Guide](#) for driver features & limitations.

▶▶		S3	0	0
----	--	-----------	----------	----------

Lumen Output	Color Temperature	Optics	Sensors	Finish	Options
LO Low Output SO Standard Output HO High Output	80+ CRI 27 2700K 30 3000K 35 3500K 40 4000K 90+ CRI 279 2700K 309 3000K 359 3500K 409 4000K	A1 85° Asymmetric S1 40° Symmetric S2 60° Symmetric S3 120° Symmetric D3 Diffuse D4 Diffuse with MicroBaffle	0 None	WH White BL Black	0 None

See [IES Files](#) page for details.

*See [Power Guide](#) for driver features & limitations.

Direct lighting for open office and general illumination applications



ZipTwo Diffuse shown

Benefits & Features

Low Profile Design

Micro profile: 0.36" (9mm) x 1.38" (35mm).

Superior Light Quality & Performance

Output up to 1188 lm/ft (3897 lm/m) (HO), 121 lm/W (HO). 80 or 90 CRI available.

Versatile Mounting Options, Easy Installation

Magnet with tape-on metal strip, strut clip or low profile clips allow for mounting to almost any surface or T-Bar ceiling.

Better Optics & Beam Control

Excellent glare control available with or without MicroBaffle™.

[See Product](#)

707-Z2	SL				0 ▶▶
---------------	-----------	--	--	--	-------------

System & Rail Type	System Type	System Length	Rail Length	Mounting	Arm/Cord Length
707-Z2 ZipTwo	SL Standard Linear	Specify overall system length in ft/in or M/mm. <i>up to 2,500' max per order</i>	24 24" (610mm) 36 36" (914mm) 48 48" (1219mm) 60 60" (1524mm) 72 72" (1829mm) 96 96" (2438mm)	C Clip CM Clip with Micro J-Box T Magnet with Tape-On Metal Strip T1 9/16" T-Bar Clip, low profile T2 15/16" T-Bar Clip, low profile T3 15/16" T-Bar Clip, medium profile T4 15/16" T-Bar Clip, concealed T5 9/16" T-Bar Clip, medium profile T6 Slotted T-Bar Clip T7 Dimensional T-Bar Clip SC Strut Channel Clip	0 None

▶▶ RP		2	0	Z ▶▶
--------------	--	----------	----------	-------------

Power Location	Power Type	Voltage	Emergency Power	LED Type
RP Remote Power	Remote Power* AE eldoLED 0-10v, 1.0% Dimming AT eldoLED 0-10v, 0.1% Dimming	2 120v-277v	0 No Emergency Power	Z Zipper Board™

*See [Power Guide](#) for driver features & limitations.

▶▶			0		0
----	--	--	----------	--	----------

Lumen Output	Color Temperature	Optics	Sensors	Finish	Options
LO Low Output SO Standard Output HO High Output	80+ CRI 27 2700K 30 3000K 35 3500K 40 4000K 90+ CRI 279 2700K 309 3000K 359 3500K 409 4000K	A1 85° Asymmetric S1 40° Symmetric S2 60° Symmetric S3 120° Symmetric D3 Diffuse D4 Diffuse with MicroBaffle	0 None	WH White	0 None

See [IES Files](#) page for details.

*See [Power Guide](#) for driver features & limitations.

Direct lighting for open office and general illumination applications



ZipTwo Round, Diffuse

Benefits & Features

Low Profile Design

Round profile: 0.55" (14mm) x 1.38" (35mm).

Superior Light Quality & Performance

Output up to 1071 lm/ft (3512 lm/m) (HO), 109 lm/W (HO). 80 or 90 CRI available.

Versatile Mounting Options, Easy Installation

Magnet with tape-on metal strip, strut clip or low profile clips allow for mounting to almost any surface or T-Bar ceiling.

Better Optics & Beam Control

Wide, soft distribution without diode image.

[See Product](#)

707-Z2	SL				0
--------	----	--	--	--	---

System & Rail Type	System Type	System Length	Rail Length	Mounting	Arm/Cord Length
707-Z2 ZipTwo	SL Standard Linear	Specify overall system length in ft/in or M/mm. <i>up to 2,500' max per order</i>	24 24" (610mm) 36 36" (914mm) 48 48" (1219mm) 60 60" (1524mm) 72 72" (1829mm) 96 96" (2438mm)	C Clip CM Clip with Micro J-Box T Magnet with Tape-On Metal Strip T1 9/16" T-Bar Clip, low profile T2 15/16" T-Bar Clip, low profile T3 15/16" T-Bar Clip, medium profile T4 15/16" T-Bar Clip, concealed T5 9/16" T-Bar Clip, medium profile T6 Slotted T-Bar Clip T7 Dimensional T-Bar Clip SC Strut Channel Clip	0 None

RP		2	0	Z
----	--	---	---	---

Power Location	Power Type	Voltage	Emergency Power	LED Type
RP Remote Power	Remote Power* AE eldoLED 0-10v, 1.0% Dimming AT eldoLED 0-10v, 0.1% Dimming	2 120v-277v	0 No Emergency Power	Z Zipper Board™

*See [Power Guide](#) for driver features & limitations.

	S4	0	WH	0
--	----	---	----	---

Lumen Output	Color Temperature	Optics	Sensors	Finish	Options
LO Low Output SO Standard Output HO High Output	80+ CRI 27 2700K 30 3000K 35 3500K 40 4000K 90+ CRI 279 2700K 309 3000K 359 3500K 409 4000K	S4 Round, Diffuse	0 None	WH White	0 None

See [IES Files](#) page for details.

*See [Power Guide](#) for driver features & limitations.

ZipTwo® | Square, Critical Edge | 707 | PDQ Up to 2,500'

Direct lighting for open office and general illumination applications



ZipTwo Square, Critical Edge shown

Benefits & Features

Low Profile Design

Square Profile. 1.38" (35mm) x 1.38" (35mm).

Superior Light Quality & Performance

Output up to 680 lm/ft (2230 lm/m) (HO), 70 lm/W (HO). 80 or 90 CRI available.

Versatile Mounting Options, Easy Installation

Magnet with tape-on metal strip, strut clip or low profile clips allow for mounting to almost any surface or T-Bar ceiling.

Full Diffuse, Side Diffuse & Critical Edge™ Options

Critical Edge™ for a floating plane of light without diode image.

[See Product](#)

707-Z2	SL				0
--------	----	--	--	--	---

System & Rail Type	System Type	System Length	Rail Length	Mounting	Arm/Cord Length
707-Z2 ZipTwo	SL Standard Linear	Specify overall system length in ft/in or M/mm. <i>up to 2,500' max per order</i>	24 24" (610mm) 36 36" (914mm) 48 48" (1219mm) 60 60" (1524mm) 72 72" (1829mm) 96 96" (2438mm)	C Clip CM Clip with Micro J-Box T Magnet with Tape-On Metal Strip T1 9/16" T-Bar Clip, low profile T2 15/16" T-Bar Clip, low profile T3 15/16" T-Bar Clip, medium profile T4 15/16" T-Bar Clip, concealed T5 9/16" T-Bar Clip, medium profile T6 Slotted T-Bar Clip T7 Dimensional T-Bar Clip SC Strut Channel Clip	0 None

RP		2	0	Z
----	--	---	---	---

Power Location	Power Type	Voltage	Emergency Power	LED Type
RP Remote Power	Remote Power* AE eldoLED 0-10v, 1.0% Dimming AT eldoLED 0-10v, 0.1% Dimming	2 120v-277v	0 No Emergency Power	Z Zipper Board™

*See [Power Guide](#) for driver features & limitations.

	S5	0	WH	0
--	----	---	----	---

Lumen Output	Color Temperature	Optics	Sensors	Finish	Options
LO Low Output SO Standard Output HO High Output	80+ CRI 27 2700K 30 3000K 35 3500K 40 4000K 90+ CRI 279 2700K 309 3000K 359 3500K 409 4000K	S5 Square, Critical Edge S6 Square, Diffuse S9 Square, Side Diffuse	0 None	WH White	0 None

See [IES Files](#) page for details.

*See [Power Guide](#) for driver features & limitations.

Direct lighting for open office and general illumination applications



ZipTwo Square, Diffuse shown

Benefits & Features

Low Profile Design

Square Profile: 1.38" (35mm) x 1.38" (35mm).

Superior Light Quality & Performance

Output up to 680 lm/ft (2230 lm/m) (HO), 70 lm/W (HO). 80 or 90 CRI available.

Versatile Mounting Options, Easy Installation

Magnet with tape-on metal strip, strut clip or low profile clips allow for mounting to almost any surface or T-Bar ceiling.

Full Diffuse, Side Diffuse & Critical Edge™ Options

Full diffuse lens for wide distribution.

[See Product](#)

707-Z2	SL				0 ▶▶
---------------	-----------	--	--	--	-------------

System & Rail Type	System Type	System Length	Rail Length	Mounting	Arm/Cord Length
707-Z2 ZipTwo	SL Standard Linear	Specify overall system length in ft/in or M/mm. <i>up to 2,500' max per order</i>	24 24" (610mm) 36 36" (914mm) 48 48" (1219mm) 60 60" (1524mm) 72 72" (1829mm) 96 96" (2438mm)	C Clip CM Clip with Micro J-Box T Magnet with Tape-On Metal Strip T1 9/16" T-Bar Clip, low profile T2 15/16" T-Bar Clip, low profile T3 15/16" T-Bar Clip, medium profile T4 15/16" T-Bar Clip, concealed T5 9/16" T-Bar Clip, medium profile T6 Slotted T-Bar Clip T7 Dimensional T-Bar Clip SC Strut Channel Clip	0 None

▶▶ RP		2	0	Z ▶▶
--------------	--	----------	----------	-------------

Power Location	Power Type	Voltage	Emergency Power	LED Type
RP Remote Power	Remote Power* AE eldoLED 0-10v, 1.0% Dimming AT eldoLED 0-10v, 0.1% Dimming	2 120v-277v	0 No Emergency Power	Z Zipper Board™

*See [Power Guide](#) for driver features & limitations.

▶▶		S6	0	WH	0
----	--	-----------	----------	-----------	----------

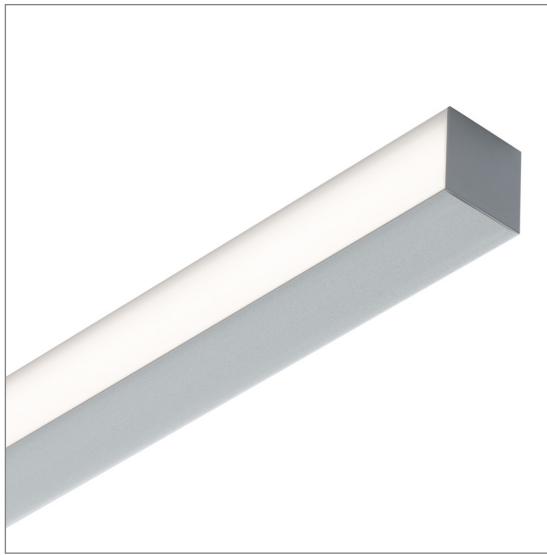
Lumen Output	Color Temperature	Optics	Sensors	Finish	Options
LO Low Output SO Standard Output HO High Output	80+ CRI 27 2700K 30 3000K 35 3500K 40 4000K 90+ CRI 279 2700K 309 3000K 359 3500K 409 4000K	S5 Square, Critical Edge S6 Square, Diffuse S9 Square, Side Diffuse	0 None	WH White	0 None

See [IES Files](#) page for details.

*See [Power Guide](#) for driver features & limitations.

ZipTwo® | Square, Side Diffuse | 707 | PDQ Up to 2,500'

Direct lighting for open office and general illumination applications



ZipTwo Square, Side Diffuse shown

Benefits & Features

Low Profile Design

Square Profile: 1.38" (35mm) x 1.38" (35mm).

Superior Light Quality & Performance

Output up to 680 lm/ft (2230 lm/m) (HO), 70 lm/W (HO). 80 or 90 CRI available.

Versatile Mounting Options, Easy Installation

Magnet with tape-on metal strip, strut clip or low profile clips allow for mounting to almost any surface or T-Bar ceiling.

Full Diffuse, Side Diffuse & Critical Edge™ Options

Side Diffuse™ for a floating plane of light without diode image.

See Product

707-Z2	SL		0 ▶▶
---------------	-----------	--	-------------

System & Rail Type	System Type	System Length	Rail Length	Mounting	Arm/Cord Length
707-Z2 ZipTwo	SL Standard Linear	Specify overall system length in ft/in or M/mm. <i>up to 2,500' max per order</i>	24 24" (610mm) 36 36" (914mm) 48 48" (1219mm) 60 60" (1524mm) 72 72" (1829mm) 96 96" (2438mm)	C Clip CM Clip with Micro J-Box T Magnet with Tape-On Metal Strip T1 9/16" T-Bar Clip, low profile T2 15/16" T-Bar Clip, low profile T3 15/16" T-Bar Clip, medium profile T4 15/16" T-Bar Clip, concealed T5 9/16" T-Bar Clip, medium profile T6 Slotted T-Bar Clip T7 Dimensional T-Bar Clip SC Strut Channel Clip	0 None

▶▶ RP		2	0	Z ▶▶
--------------	--	----------	----------	-------------

Power Location	Power Type	Voltage	Emergency Power	LED Type
RP Remote Power	Remote Power* AE eldoLED 0-10v, 1.0% Dimming AT eldoLED 0-10v, 0.1% Dimming	2 120v-277v	0 No Emergency Power	Z Zipper Board™

*See [Power Guide](#) for driver features & limitations.

▶▶	S9	0	WH	0
----	-----------	----------	-----------	----------

Lumen Output	Color Temperature	Optics	Sensors	Finish	Options
LO Low Output SO Standard Output HO High Output	80+ CRI 27 2700K 30 3000K 35 3500K 40 4000K 90+ CRI 279 2700K 309 3000K 359 3500K 409 4000K	S5 Square, Critical Edge S6 Square, Diffuse S9 Square, Side Diffuse	0 None	WH White	0 None

See [IES Files](#) page for details.

*See [Power Guide](#) for driver features & limitations.

Ceiling cove and wall cove lighting systems for ceiling wash, wall wash and grazing applications



ZipWave: indirect cove light shown

Benefits & Features

Perfect Light Distribution

Optimized distribution, no tuning necessary. Designed for Armstrong® AXIOM® Indirect Light Coves and site-built coves.

Superior Light Quality with High Efficiency

Output up to 1666 lm/ft (5465 lm/m) (HO), 132 lm/W (SO), 80 or 90 CRI.

Easy Installation, Minimal Electrical Circuits

Simply drops into cove, no tools required. Plug & play integral power and control circuits provided. Up to 533' can be powered with one 277v feed.

Better Beam Performance

FarThrow™ lens for long, even beam across the ceiling.

[See Product](#)

707-Z9	SL				0 ▶▶
System & Rail Type	System Type	System Length	Rail Length	Mounting	Arm/Cord Length
707-Z9 ZipWave	SL Standard Linear	Specify overall system length in ft/in or M/mm. <i>up to 500' max per order</i>	24 24" (610mm) 36 36" (914mm) 48 48" (1219mm) 60 60" (1524mm) 72 72" (1829mm) 96 96" (2438mm)	EL Engineered Ceiling Cove, FarThrow™ AC Armstrong® Ceiling Cove, FarThrow™	0 None

▶▶ IP		2	0	Z ▶▶
Power Location	Power Type	Voltage	Emergency Power	LED Type
IP Integral Power	Remote Power* AE eldoLED 0-10v, 1.0% Dimming AT eldoLED 0-10v, 0.1% Dimming	2 120v-277v	0 No Emergency Power	Z Zipper Board™

*See [Power Guide](#) for driver features & limitations.

▶▶		C1	0	AL	0
Lumen Output	Color Temperature	Optics	Sensors	Finish	Options
LO Low Output SO Standard Output HO High Output	80+ CRI 27 2700K 30 3000K 35 3500K 40 4000K 90+ CRI 279 2700K 309 3000K 359 3500K 409 4000K	C1 Clear with EdgeSoft™	0 None	AL Clear Anodized	0 None

See [IES Files](#) page for details.
*See [Power Guide](#) for driver features & limitations.

Accent, ambient or task lighting for wall or ceiling wash, grazing, cove or reveal accent.



BoxRail 907

Benefits & Features

Minimal, Robust Design

Square profile, 1.14" (29mm) x 1.14" (29mm).

Superior Light Quality & Performance

Output up to 1367 lm/ft (4485lm/m) (HO), 120 lm/W (SO). 80 or 90 CRI.

Adaptive Mounting System

Full range dimming power for all protocols.

Better Optics & Beam Control Options

Options of 36°, 19° x 48°, MicroBaffle™, optical film and diffuse lens. Directional control with rotation, angle gauge and lock.

[See Product](#)

907-BX

System & Rail Type	System Length	Rail Length	Mounting	Power Type
907-BX BoxRail	Specify overall system length in ft/in or M/mm. <i>up to 500' max per order</i>	24 24" (610mm) 36 36" (914mm) 48 48" (1219mm) 60 60" (1524mm) 72 72" (1829mm)	F1S Fixed 1 R1B Rotate 1 R2S Rotate 2	Remote Power* AE eldoLED 0-10v, 1.0% Dimming AT eldoLED 0-10v, 0.1% Dimming *See Power Guide for driver features & limitations.

2	0	Z		
Voltage	Emergency Power	LED Type	Lumen Output	Color Temperature
2 120v-277v	0 No Emergency Power	Z Zipper Board™	LO Low Output SO Standard Output HO High Output ZZ Other (please specify) See IES Files page for details. *See Power Guide for driver features & limitations.	80+ CRI 27 2700K 30 3000K 35 3500K 40 4000K 90+ CRI 279 2700K 309 3000K 359 3500K 409 4000K

0		
Optics	Sensors	Finish
1 Diffuse WB White Baffle BB Black Baffle G1 120° Batwing G2 120° FlyWing S1 40° Symmetric S2 60° Symmetric A1 85° Asymmetric	0 None	AL Clear Anodized WH White Painted BL Black Anodized