

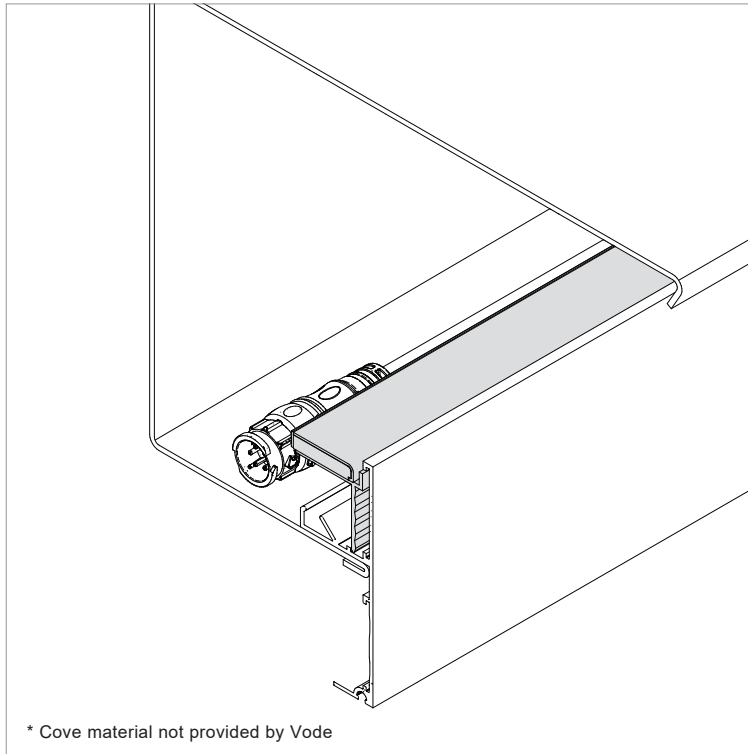
## Wall Cove | Integral Power

ZipWave™ | 707

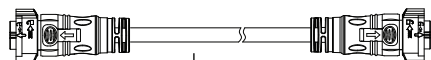
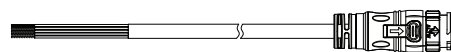
Please read instructions in their entirety before proceeding with any part of the installation. This product must be installed in accordance with the applicable installation code by a person familiar with the construction and operation of the product and the hazards involved. Consult a qualified electrician to ensure correct branch circuit rating. To prevent electric shock, disconnect all power before installing or servicing product. Rated for use in dry and damp locations only. Retain instructions for future reference.

Technical Support: 707-996-9898

### Installed View

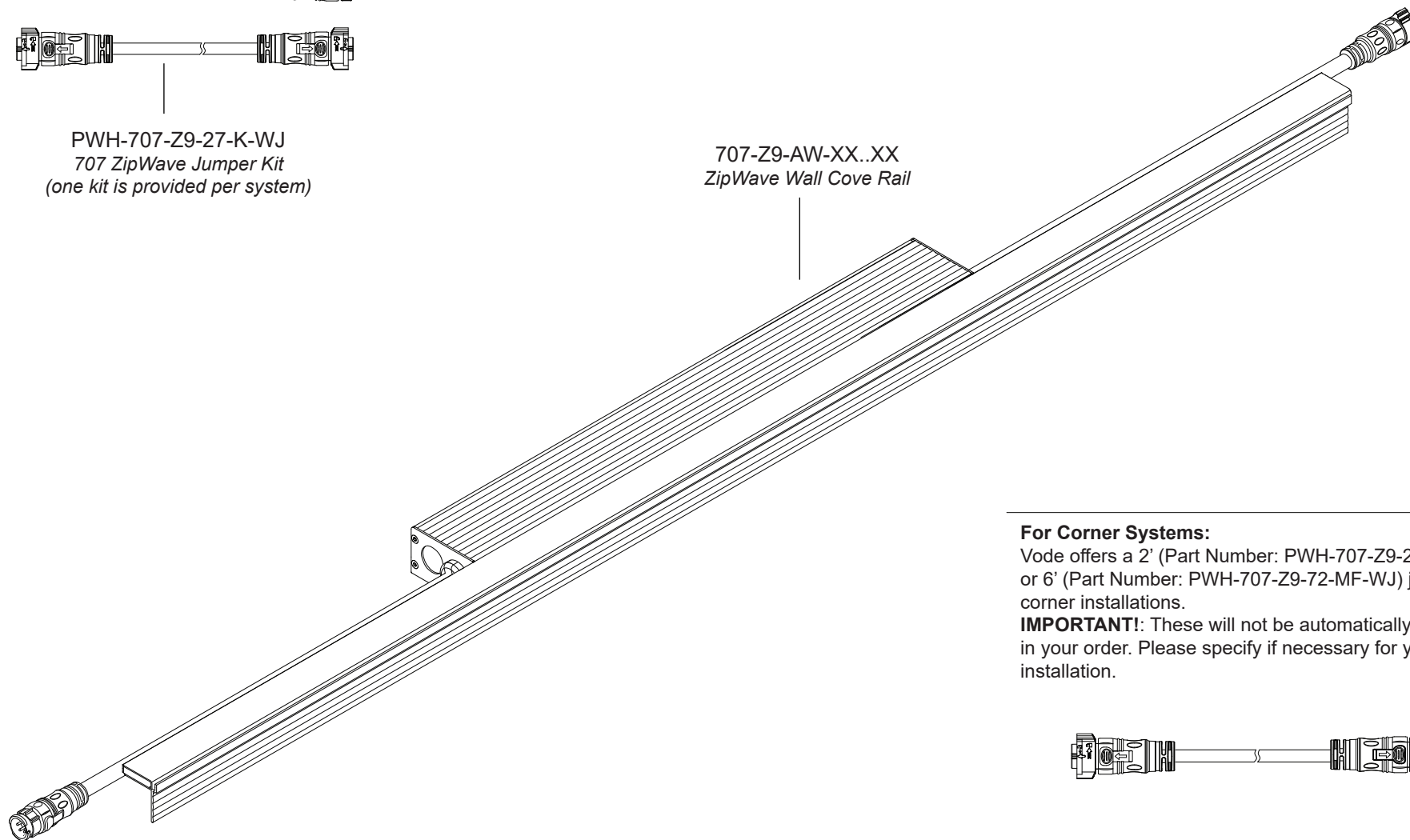


## Parts Diagram



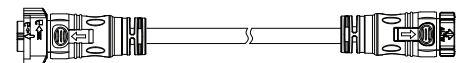
PWH-707-Z9-27-K-WJ  
707 ZipWave Jumper Kit  
(one kit is provided per system)

707-Z9-AW-XX..XX  
ZipWave Wall Cove Rail

**For Corner Systems:**

Vode offers a 2' (Part Number: PWH-707-Z9-24-MF-WJ) or 6' (Part Number: PWH-707-Z9-72-MF-WJ) jumper for corner installations.

**IMPORTANT!** These will not be automatically included in your order. Please specify if necessary for your installation.

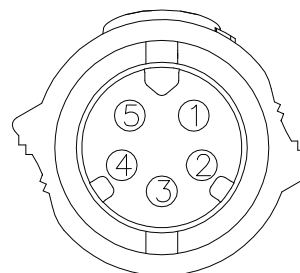
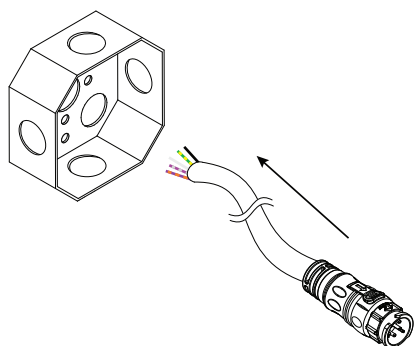


# Installation Instructions

## 1 Wire Fixture

**NOTE:** Install Vode ZipWave lighting fixtures only after the AXIOM® Indirect Ceiling-to-Wall Light or engineered cove is installed.

Using the below wiring guide, use the provided whip to wire fixture through the contractor provide j-box.



- 1 - Black
- 2 - Green / Yellow
- 3 - White
- 4 - Purple / Grey
- 5 - Purple / Orange

### AE / AT | 0-10V Dimming

- Line
- Neutral
- Ground
- Dimming -
- Dimming +

### AD | DALI Dimming

- Line
- Neutral
- Ground
- DALI -
- DALI +

### AH | Lutron Hi-lume 1%, EcoSystem (LDE1)

- Switched Hot (L)
- Neutral
- Ground
- EcoSystem E2
- EcoSystem E1

### AH3 | Lutron Hi-lume 1% EcoSystem/3-Wire (L3D)

- Switched Hot (L)
- Neutral
- Dimmed Hot (DL)
- EcoSystem E2
- EcoSystem E1

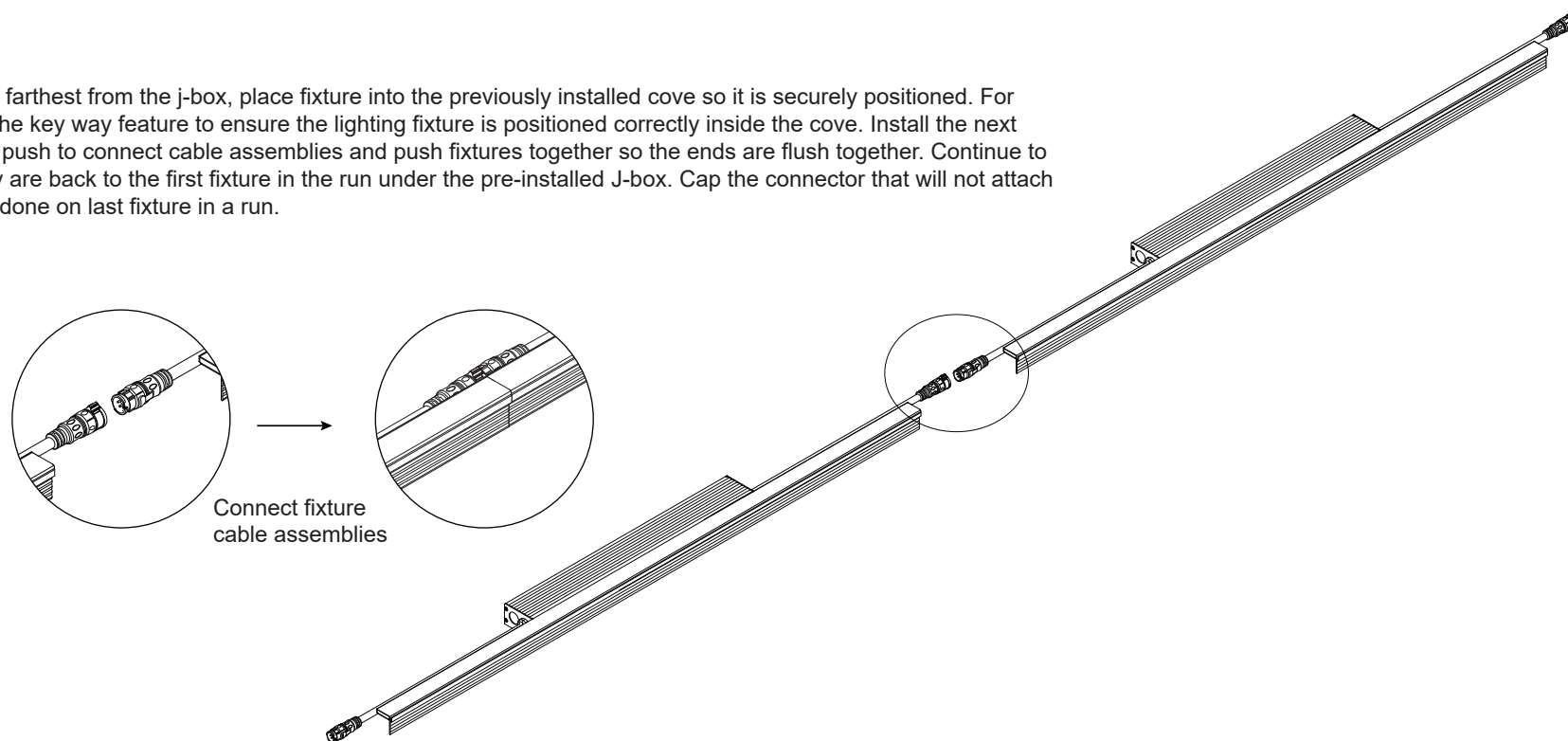
### AH2 | Lutron Hi-lume 1% 2-wire (LTE)

- Dimmed Hot (DL)
- Neutral
- Ground
- CAP THIS WIRE**
- CAP THIS WIRE**

## Installation Instructions

### 2 Install Fixture

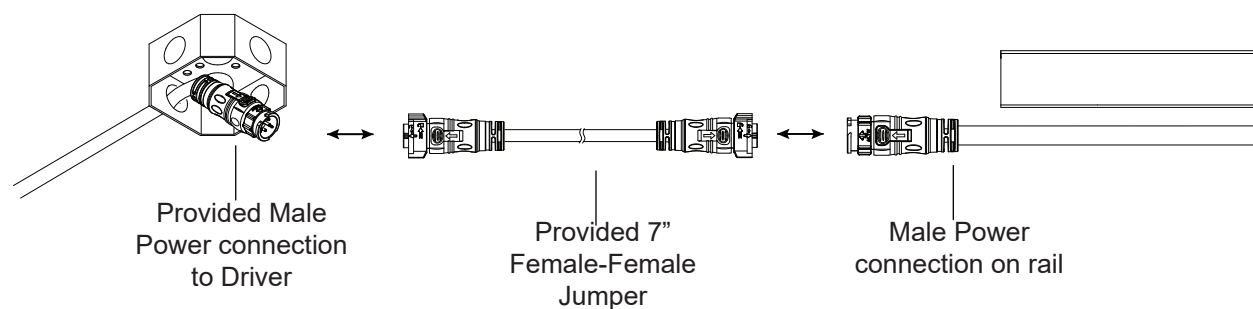
Starting with the fixture farthest from the j-box, place fixture into the previously installed cove so it is securely positioned. For Armstrong Coves, use the key way feature to ensure the lighting fixture is positioned correctly inside the cove. Install the next fixture, connect via the push to connect cable assemblies and push fixtures together so the ends are flush together. Continue to install fixtures until they are back to the first fixture in the run under the pre-installed J-box. Cap the connector that will not attach to another fixture, only done on last fixture in a run.



### 3 Power System On

Once all fixtures have been installed, bring power into the system by connecting the fixture cable closest to the j-box to the whip installed in step 1.

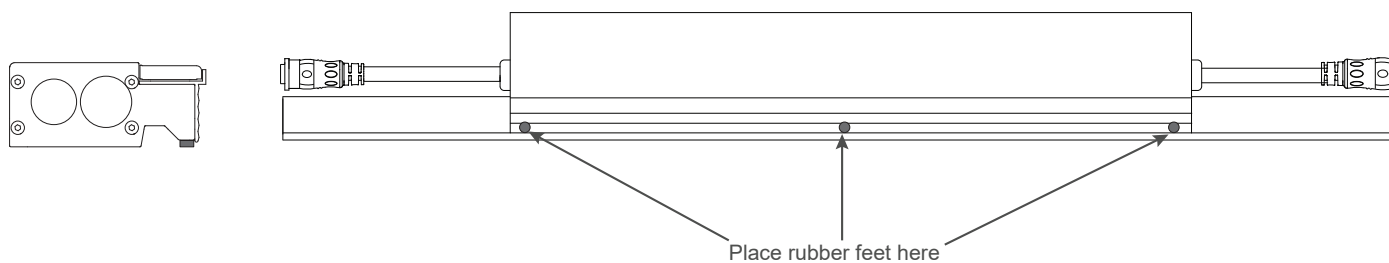
NOTE: In order to make the power connection, a 7" female-female jumper cable has been provided in case the power cable on the last rail is male.



## Installation Instructions

### Leveling Instructions for Non-Armstrong Coves

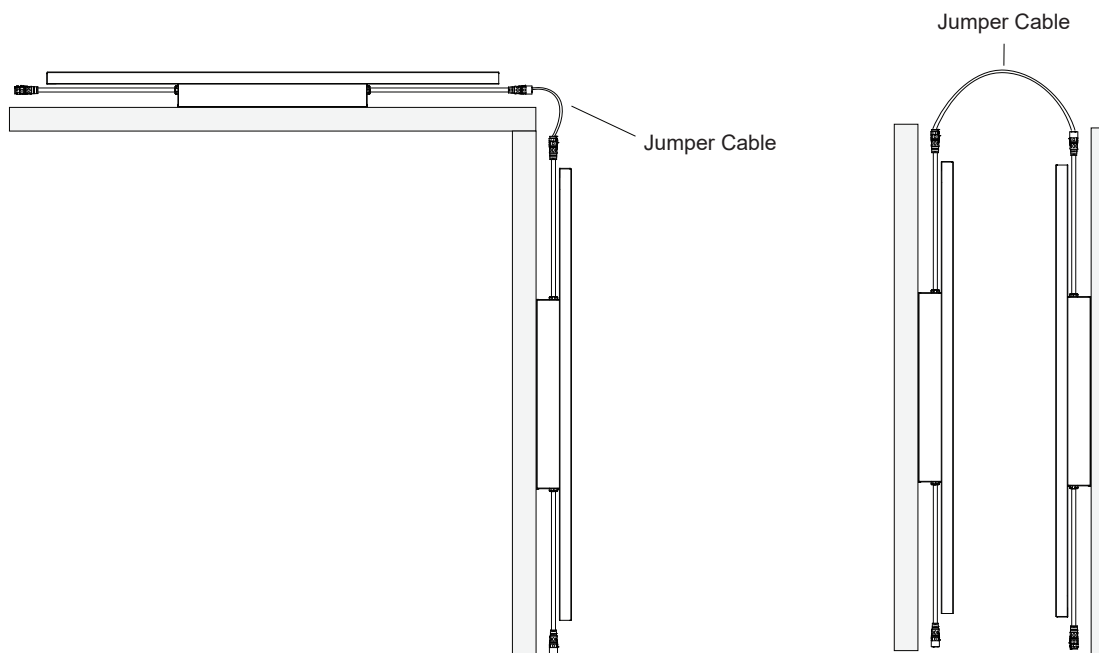
Leveling instructions for 707 ZipWave when not installed into an Armstrong AXIOM indirect light cove. Vode provides small rubber feet to level out the bottom of the ZipWave Fixture.



### Install Jumper Cables (*optional*)

**NOTE:** To connect two fixture runs to the same power supply, use the male to female jumper cable (ex. for corner or parallel runs).

**CAUTION:** Jumper cables to connect around corners need to be ordered separately. Please specify accordingly.



## Appendix

### Trouble Shooting Guide

#### My fixture will not turn on:

Check all wiring is correct and all connections are fastened properly.

If all wiring is correct, remove fixture and connect it to a known working driver.

If the fixture lights up, then the problem is with the installed driver or wiring:

- 1) Check line voltage to driver is present.
- 2) Check driver wiring (see **Vode Driver Guide for details**) and check wiring to fixture.
- 3) Check driver and dimming system are compatible (see **Vode Dimmer Guide and the dimmer manufacturer's website**).

If fixture still doesn't light up, check that all dimming wires are installed correctly. Reversed polarity on any driver will cause the entire system to not work, (see **Vode Driver Guide for wiring details**).

#### The fixture is not dimming properly:

Check all wiring is correct and all connections are fastened properly.

Check driver wiring (see **Vode Driver Guide for details**). Make sure driver is compatible with dimming controls (see **Vode Dimmer Guide and the dimmer manufacturer's website**).

**For any help with installation or technical information, contact Vode Tech Service at 707-996-9898.**

### Important Notes

- Listed to UL standards for damp location by a Nationally Recognized Testing Laboratory (NRTL) recognized by OSHA
- Operating Temperature: 32°F to 104°F (0°C to 40°C).
- Input Voltage: 120v - 277v, 50/60hz.
- Power Type: Class 2 (<60v) constant current driver.
- Dimming curve is factory preset to linear. Logarithmic is available upon request. See Vode Driver Guide for specific details and wiring diagram.
- Unless specified, one driver per rail will be supplied.
- 5 Year Limited Warranty. All material and component parts manufactured by Vode are guaranteed to be free from defects of material and/or workmanship for a period of 5 years from date of sale. Product must be installed according to Vode installation instructions and accepted trade practices. Power supplies and other auxiliary equipment are not covered under Vode warranty but may be covered by separate OEM warranty.

### Maximum System Length per Power Feed

Input Voltage	Output		
	LO	SO	HO
120	235' (72 m)	145' (44 m)	71' (22 m)
277	533' (162 m)	333' (101 m)	166' (51 m)

For other wiring questions, see **Vode Driver Guide**.