

Suspended Ceiling Clip Guide

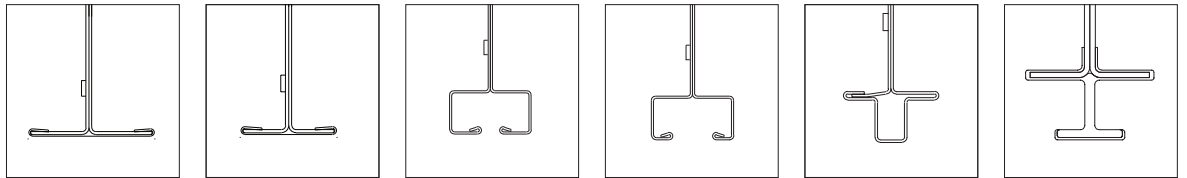
For use with ZipTwo | 707

Vode supplies custom clip options to secure the ZipTwo to a wide variety of suspended ceiling T-Bar and panel combinations. All clips are white and designed to minimize the gap between the fixture and ceiling system. Clips rotate to allow ZipTwo placement on T-Bar or perpendicular to

T-Bar. Clip guide is for mounting only. ZipTwo rails must be installed in accordance with the National Electric Code and local regulations. If you do not see a clip option for your specific application, contact Vode or your Vode agent with your specific requirements.

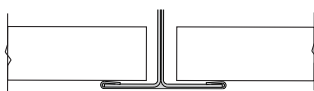
Vode Technical Support: (707) 996-9898

T-Bar Options



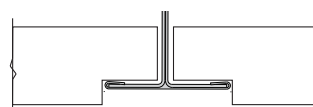
Armstrong[®]:	Prelude XL 1 ⁵ / ₁₆ "	Suprafine 9 ¹ / ₁₆ "	Silhouette XL 1 ¹ / ₈ " Reveal	Silhouette XL 1 ¹ / ₄ " Reveal	Interlude	Sonata
USG Donn[®]:	DX, DXL, CE, DXLA, ZXLA, AX, DXSS	Centricitee	Finline 1 ¹ / ₈ "	Finline 1 ¹ / ₄ "		

Panel Options



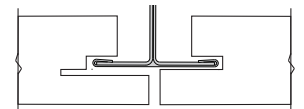
Square Lay-In

Lay-in panels are one of the most inexpensive and widely used panel types. Clips are more exposed in these applications.



Tegular

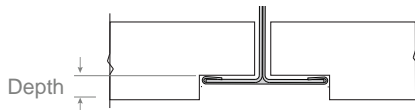
Tegular panels come in a wide variety of styles and depths. Clips are less exposed or may be completely hidden using these panels.



Concealed

Concealed panels, like the Armstrong OPTIMA[®] Vector[®], leave a thin reveal between panels. Clips are completely hidden in these applications.

Panel Depth

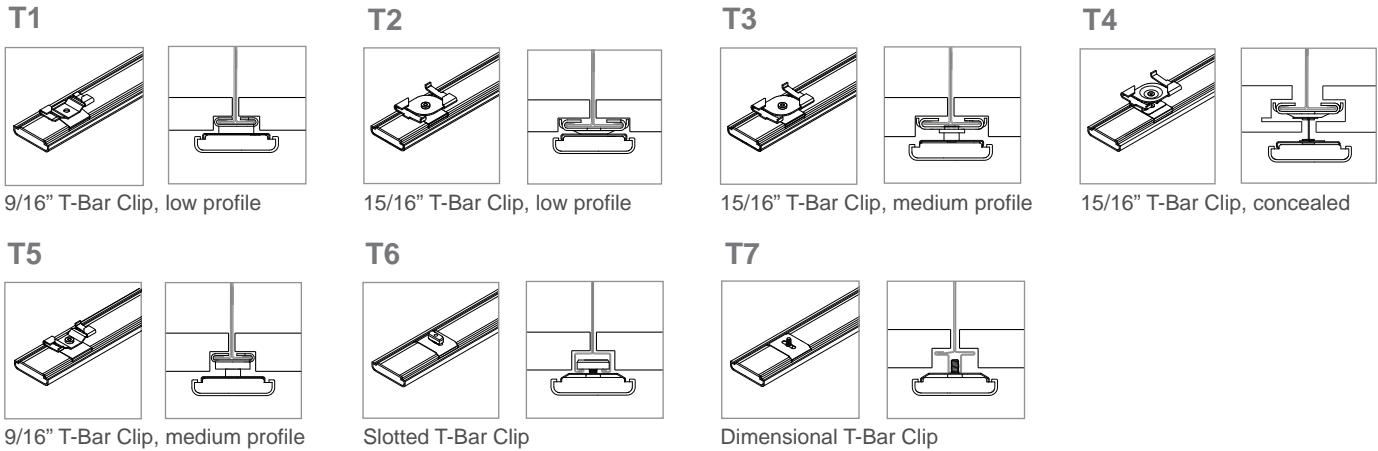


Panel depth may vary from 1¹/₁₆" to 1³/₃₂" or more. Use the charts on page two to select a clip option that allows the fixture to sit as close to the panel as possible. Custom configurations available upon request.

Copyright © 2017 Vode Lighting LLC. All rights reserved. The Vode logo and Vode, are either registered trademarks or trademarks of Vode Lighting LLC in the United States and/or other countries. All other brand or product names are trademarks or registered trademarks of their respective owners. No part of the above drawing, design, arrangements or ideas thereon shall be duplicated or used for any purpose whatsoever without the express permission of Vode Lighting LLC. Due to ongoing innovation, specifications may change without notice.

Clip Options

Clips are designed to minimize the gap between the fixture and ceiling panels. If you do not see a clip option for your specific application, contact Vode or your Vode agent with your specific requirements. For specific clip information, please see Vode Tech Sheets.



Compatibility Chart for Armstrong®

	Flat	Panel Depth					Vector D	Vector H
		1/16"	1/8"	1/4"	5/16"	13/32"		
Suprafine 9/16"	T1	T1	T1	T5	T5	Special Order	—	—
Prelude XL 15/16"	T2	T2	T2	T3	T3	Special Order	Special Order	T4
Silhouette XL 1/8" Reveal	—	—	—	—	T6	—	—	—
Silhouette XL 1/4" Reveal	—	—	—	—	T6	—	—	—
Interlude	—	—	—	—	T7	—	—	—
Sonata	—	—	—	—	Special Order	—	—	—

Compatibility Chart for USG Donn®

	Flat	Panel Depth					Concealed
		1/16"	1/8"	1/4"	5/16"	13/32"	
Centrictee	T1	T1	T1	T5	T5	Special Order	—
15/16" T-Bar	T2	T2	T2	T3	T3	Special Order	T4
Fineline 1/8"	—	—	—	—	T6	—	—
Fineline 1/4"	—	—	—	—	T6	—	—