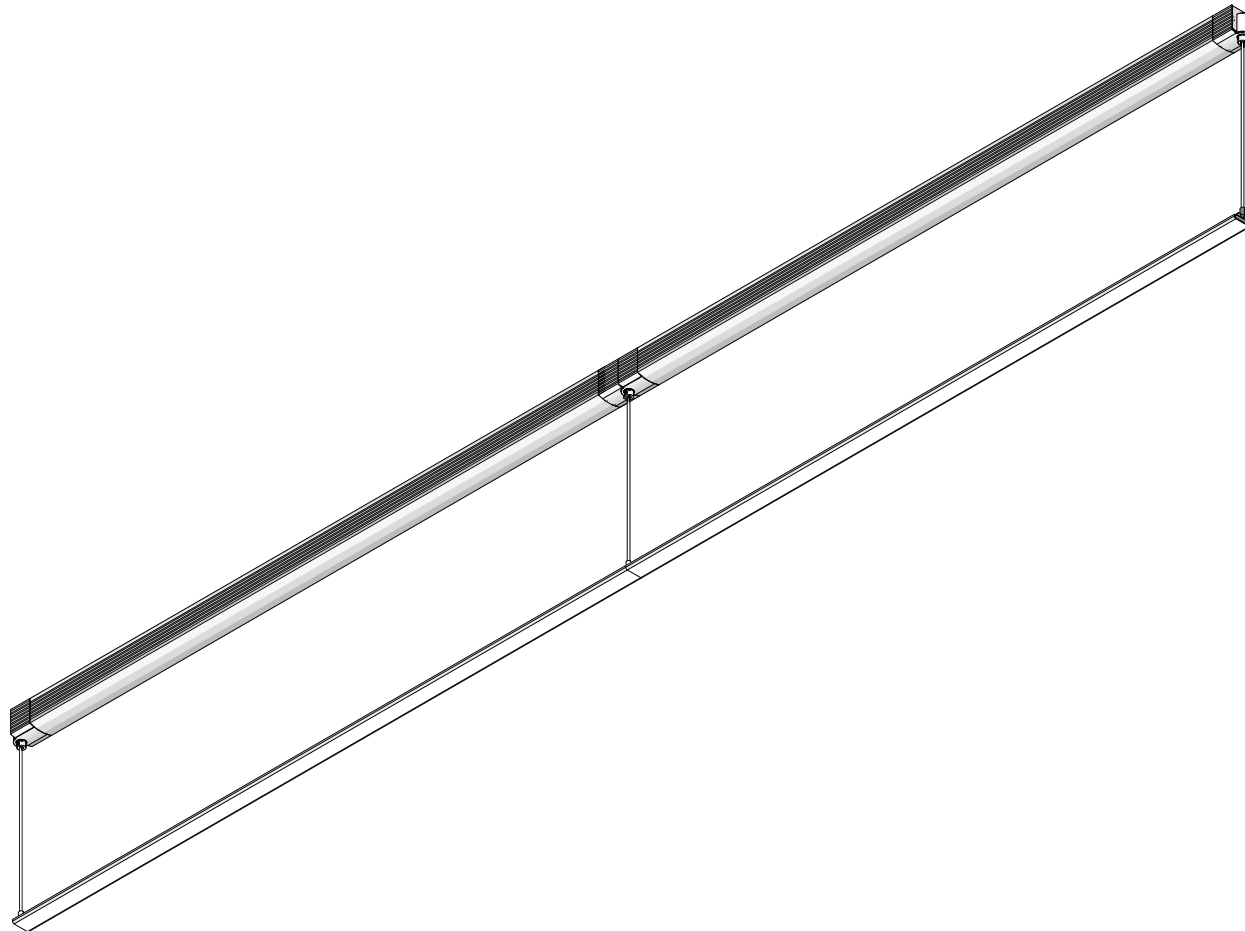


## Ceiling Cable | 707 | ZipTwo® | Integral Power

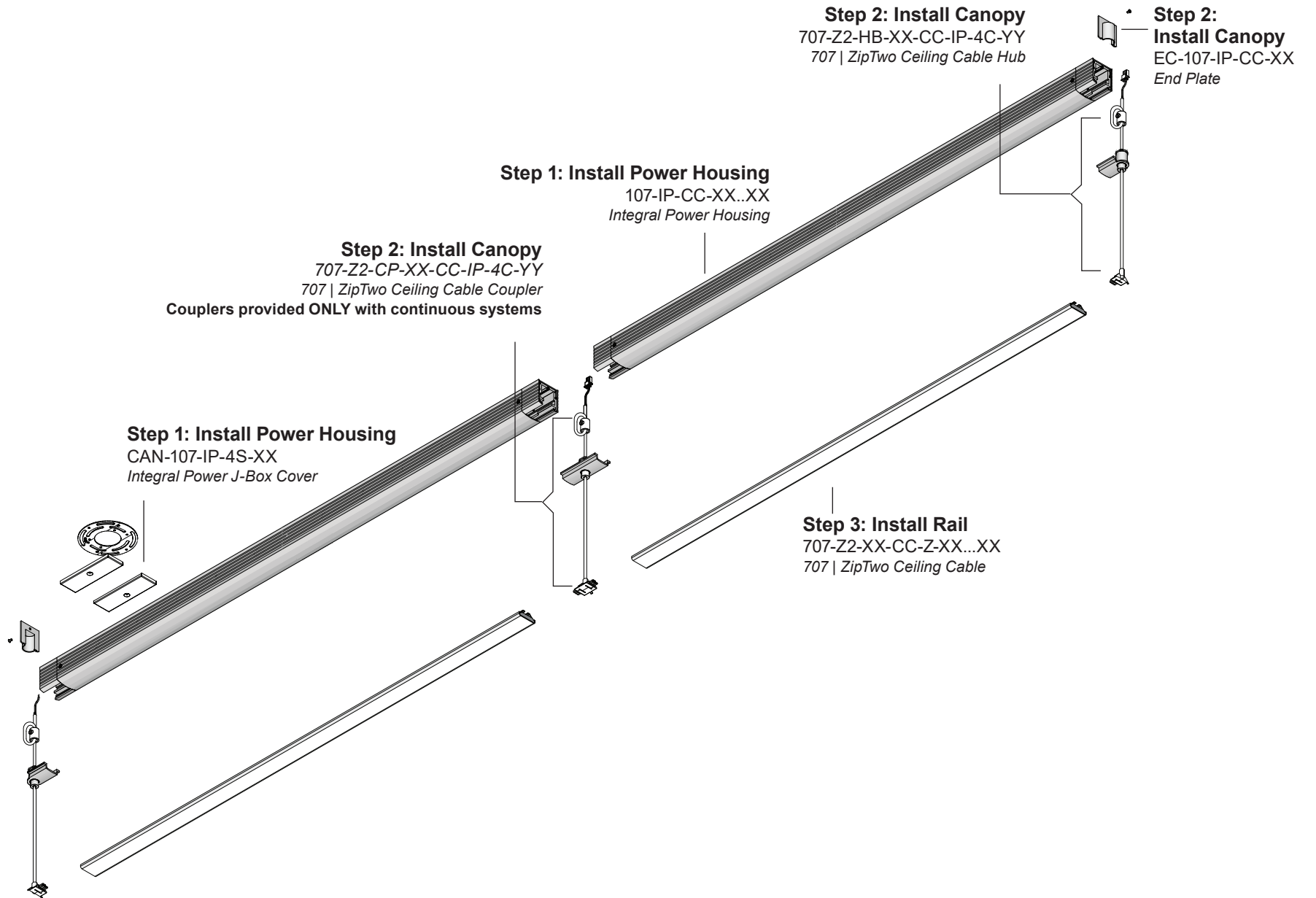
Please read instructions in their entirety before proceeding with any part of the installation. This product must be installed in accordance with the applicable installation code by a person familiar with the construction and operation of the product and the hazards involved. Consult a qualified electrician to ensure correct branch circuit rating. To prevent electric shock, disconnect all power before installing or servicing product. Rated for use in dry and damp locations only. Retain instructions for future reference.

Technical Support: 707.996.9898 or [technicalsupport@vode.com](mailto:technicalsupport@vode.com)

### Installed View



**NOTE:** Single Rail systems do not have any Continuous Mounting components.



## Step 1: Mount Integral Power Housing and Make Line Voltage Connections

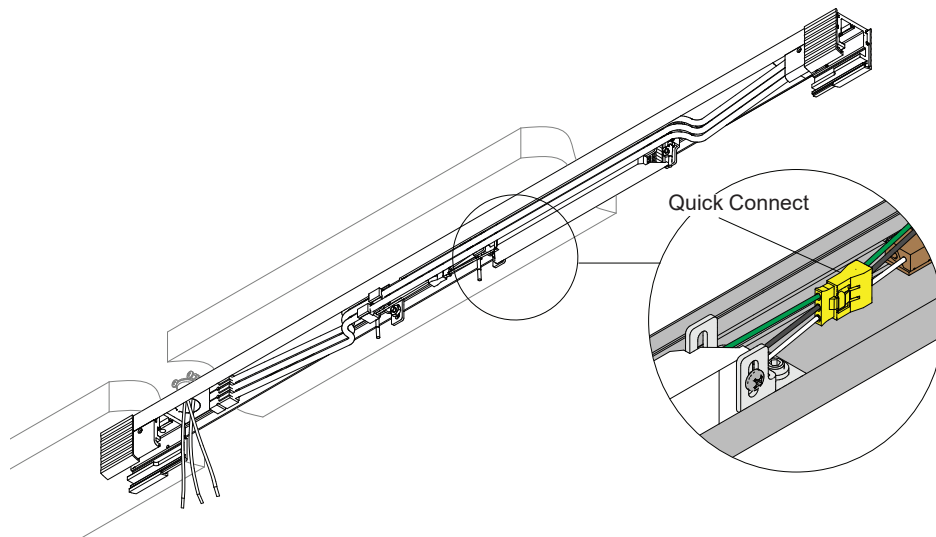
**IMPORTANT:** The power housing must be installed in the correct orientation. The driver is located on the right end of the housing. Housing cover should be installed with screws in the least visible position.

Measure and mark layout for entire system before installing. Remove integral power housing cover carefully to avoid damaging the finish. Match each cover to its housing to ensure proper fit during assembly. Integral power housings are supplied with knock-out holes for 1/2" NPT fittings, see page 7 for knock-out hole locations. End feed is available upon request. Secure the aluminum end blocks to the mounting surface as illustrated. Block or engineered anchors are recommended at all end block Locations

### Powering System Using Direct Conduit Feed:

Drill a 3/4" (19 mm) hole in mounting surface behind power housing for conduit. Attach conduit to integral power housing using 1/2" NPT conduit fitting (provided by others). Make sure power housing is level and flush to surface. Attach power housing to surface using #8 screws (provided by others). Feed line voltage wires through conduit and attach to quick-connect by connecting ground/earth to green slot, common/neutral to white slot and line/hot to black slot. For multi rail systems, blue tyco splicers are provided for dimming controls, were applicable.

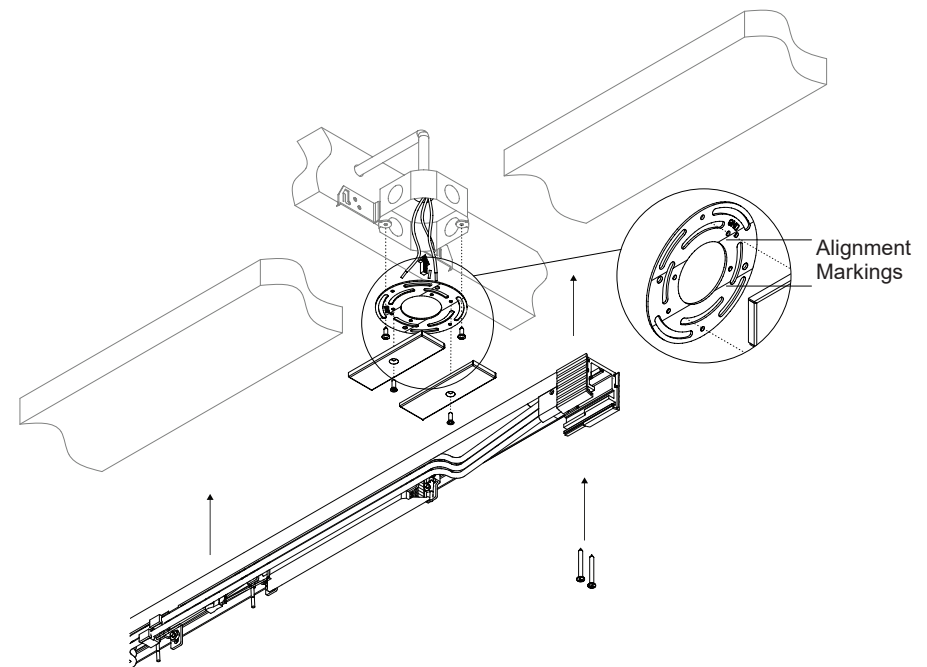
**NOTE:** Coupler can be used to help align integral power housing installations for multi-rail systems. Each back plate must be grounded.



### Powering System Through A Standard 4" J-Box:

Install provided mounting plate to a 4" J-Box (provided by others) using provided screws. Mounting plate has alignment markings to help proper installation. Make sure power housing is level and flush to surface. Attach power housing to surface using #8 screws (provided by others). Feed line voltage wires through j-box and attach to quick-connect by connecting ground/earth to green slot, common/neutral to white slot and line/hot to black slot. For multi rail systems, blue tyco splicers are provided for dimming controls, were applicable.

**NOTE:** Coupler can be used to help align integral power housing installations for multi-rail systems. Each back plate must be grounded.



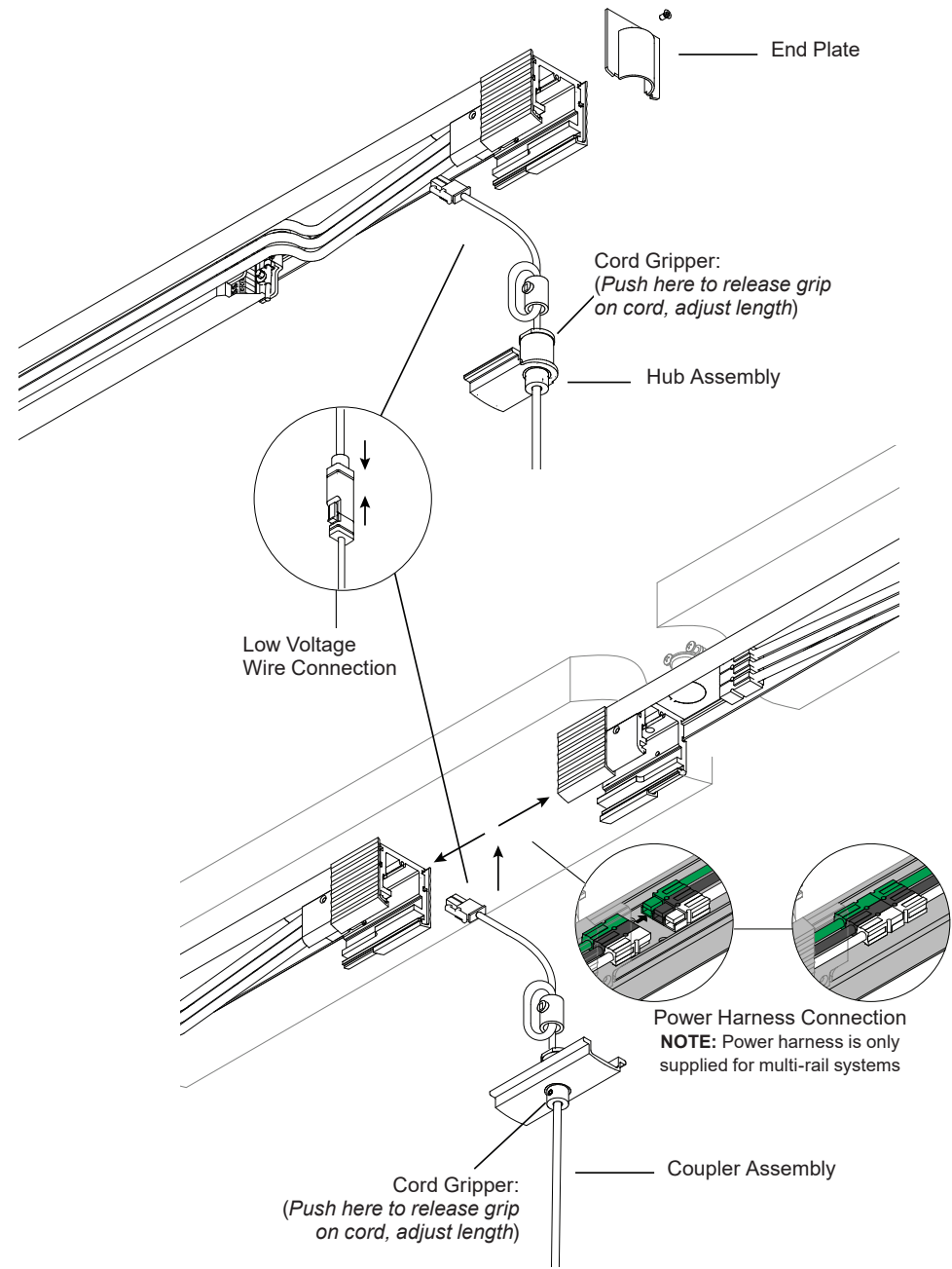
**Step 2: Install End Plate and Ceiling Cable Suspension Assemblies**

Push the cord gripper from suspension canopy and pull ceiling cable through the canopy until desired length is reached. Use hex to tighten set screw on cord gripper to secure in place.

**For Single Rail Systems:** Slide hub mounting assembly into power housing end block, with the rounded cord gripper facing out of the system as shown, on each end of the power housing. Tuck the strain relief and extra cord into the housing. The hub installed on the **RIGHT** end of housing will bring power to rail. Connect the molexes on the end of the Hub Assembly to the provided low voltage wires within the housing. Install the provided end caps on each end of the system using the provided screws.

**For Multi Rail Systems:** Slide hub assembly into power housing end block, with the rounded cord gripper facing out of the system, on each end of the power housing. Tuck the strain relief and extra cord into the housing. The hub installed on the **RIGHT** end of housing will bring power to rail. Connect the molexes on the end of the hub assembly to the provided low voltage wires within the housing. Tuck the strain relief and extra cord to the **RIGHT** and attach to the provided low voltage wiring. All power housings are provided with White/Green/Black power harnesses for power (and Grey/Purple power harness for dimming if applicable). Make sure mating connectors are completely secured to ensure that system will work properly. Install the provided end caps on each end of the system using the provided screws.

**DO NOT POWER ON SYSTEM AT THIS TIME.**



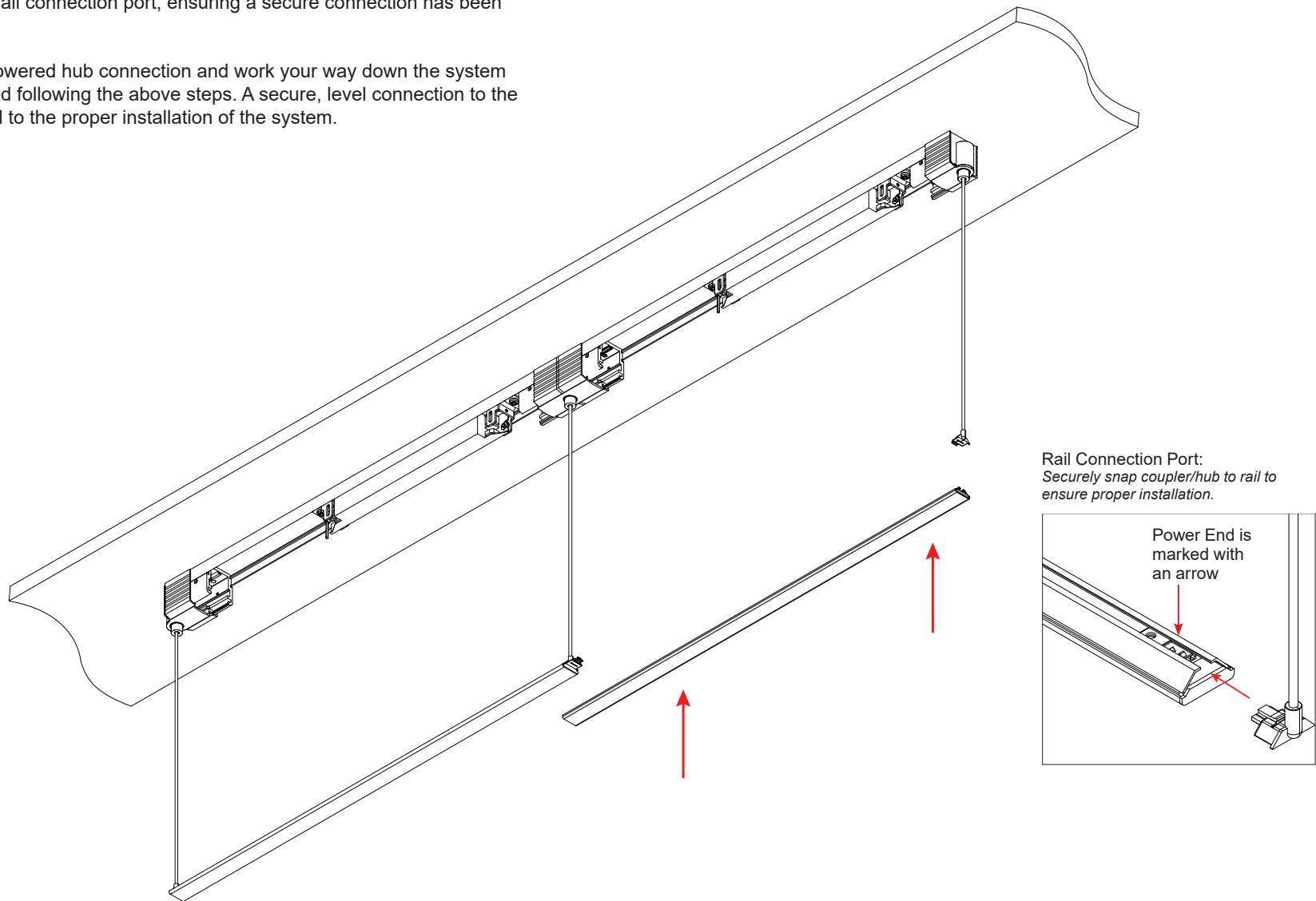
**Step 3: Install Rail**

Slide the rail onto the hub/coupler, paying special attention to which end is powered.  
Rail connection for powered end is labeled with an arrow.

Match the powered rail end to the correct hub/coupler with corresponding power arrow.  
Snap hub/coupler into rail connection port, ensuring a secure connection has been made.

Always start with the powered hub connection and work your way down the system until all rails are installed following the above steps. A secure, level connection to the hub/coupler is essential to the proper installation of the system.

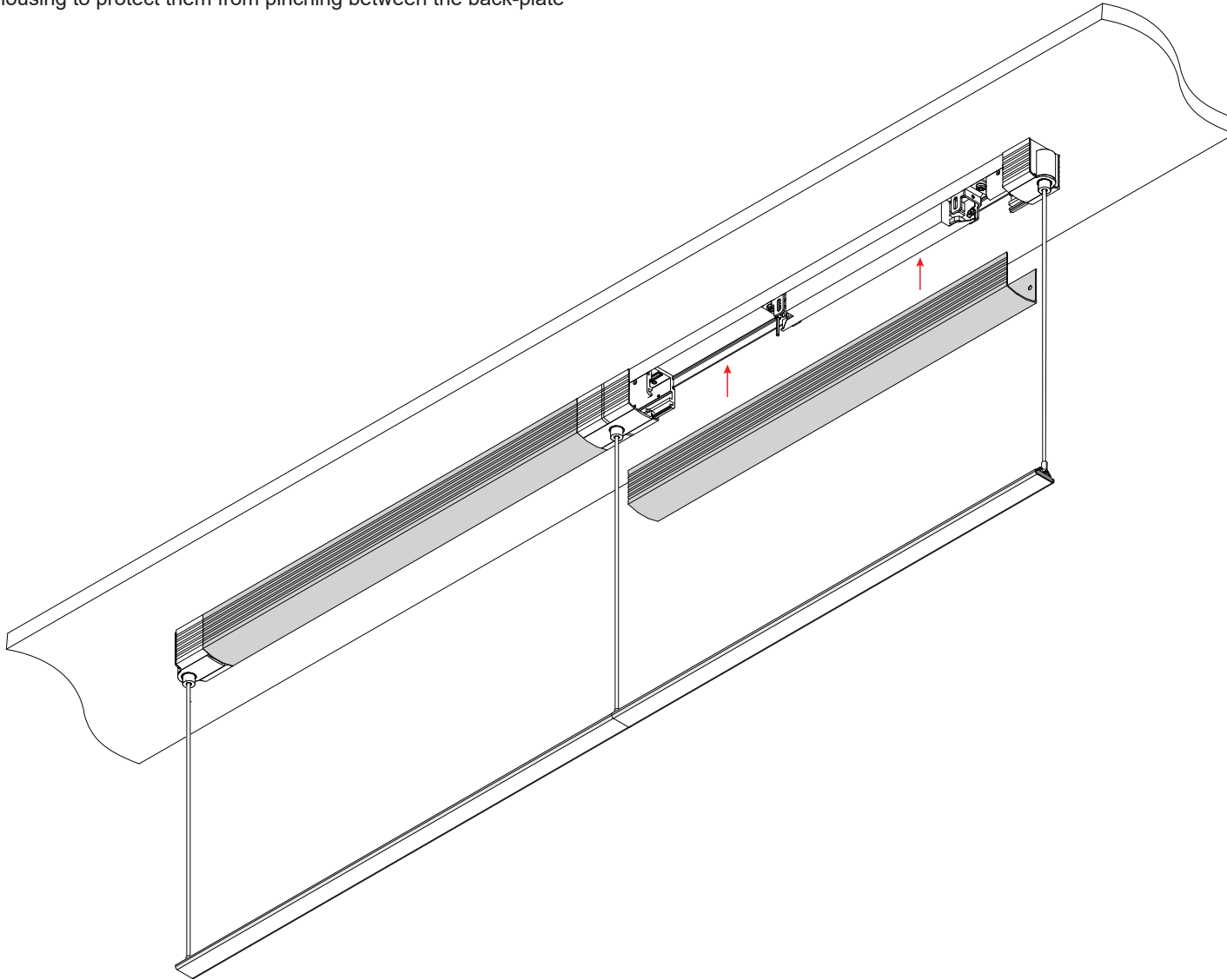
Power system **ON**

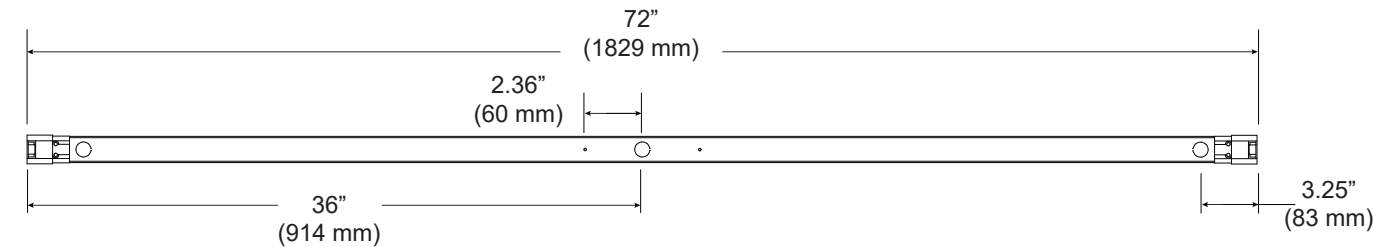
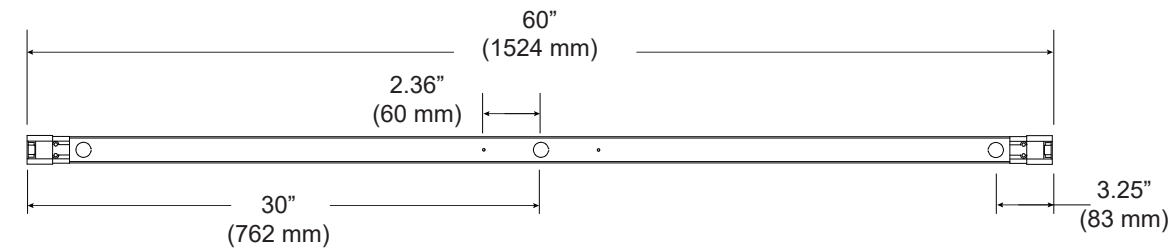
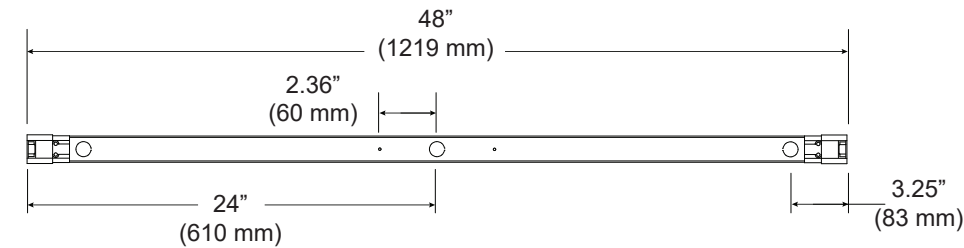
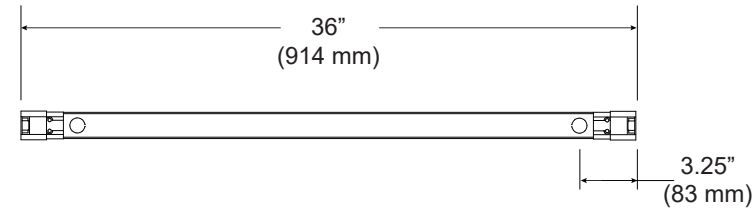
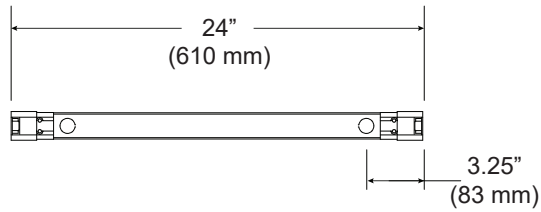


**Step 4: Replacing Power Housing Cover**

**IMPORTANT:** Before installing power housing cover, turn system **ON** and ensure system is fully operational.

Replace power housing cover and secure in place using provided screws, making sure all wires are inside the housing to protect them from pinching between the back-plate and housing cover.





**NOTE:** Power always comes in the right side of the fixture. In single driver systems the driver is always installed on the right side with the screws facing away from the finished side.

**NOTE:** 48", 60", and 72" power housings have two extra mounting holes in the center

**NOTE:** For non-standard length housings, contact factory for customer specific installation guide with the number of knock-outs provided and their corresponding locations.

## Trouble Shooting Guide

### My fixture will not turn on:

---

Check all wiring is correct and all connections are fastened properly.

If all wiring is correct, remove fixture and connect it to a known working driver.

If the fixture lights up, then the problem is with the installed driver or wiring:

- 1) Check line voltage to driver is present.
- 2) Check driver wiring (see **Vode Power Guide for details**) and check wiring to fixture.
- 3) Check driver and dimming system are compatible (see **Vode Power Guide and the dimmer manufacturer's website**).
- 4) Check that all rails are installed level to allow all power connections to be made properly. Levelness of the rail is essential.

If fixture still doesn't light up, check that all dimming wires are installed correctly. Reversed polarity on any driver will cause the entire system to not work, (see **Vode Power Guide for wiring details**).

### The fixture is not dimming properly:

---

Check all wiring is correct and all connections are fastened properly.

Check driver wiring (see **Vode Power Guide for details**). Make sure driver is compatible with dimming controls (see **Vode Power Guide and the dimmer manufacturer's website**).

---

**For any help with operation or technical information, contact Vode Tech Service at 707-996-9898 or [technicalsupport@vode.com](mailto:technicalsupport@vode.com).**

## Important Notes

- Listed to UL standards for damp location by a Nationally Recognized Testing Laboratory (NRTL) recognized by OSHA
- Power Type: Class 2 (<60v) constant current driver.
- Dimming curve is factory preset to linear. Logarithmic is available upon request. See Vode Driver Guide for specific details and wiring diagram.
- Unless specified, one driver per rail will be supplied.
- 5 Year Limited Warranty. All material and component parts manufactured by Vode are guaranteed to be free from defects of material and/or workmanship for a period of 5 years from date of sale. Product must be installed according to Vode installation instructions and accepted trade practices. Power supplies and other auxiliary equipment are not covered under Vode warranty but may be covered by separate OEM warranty.